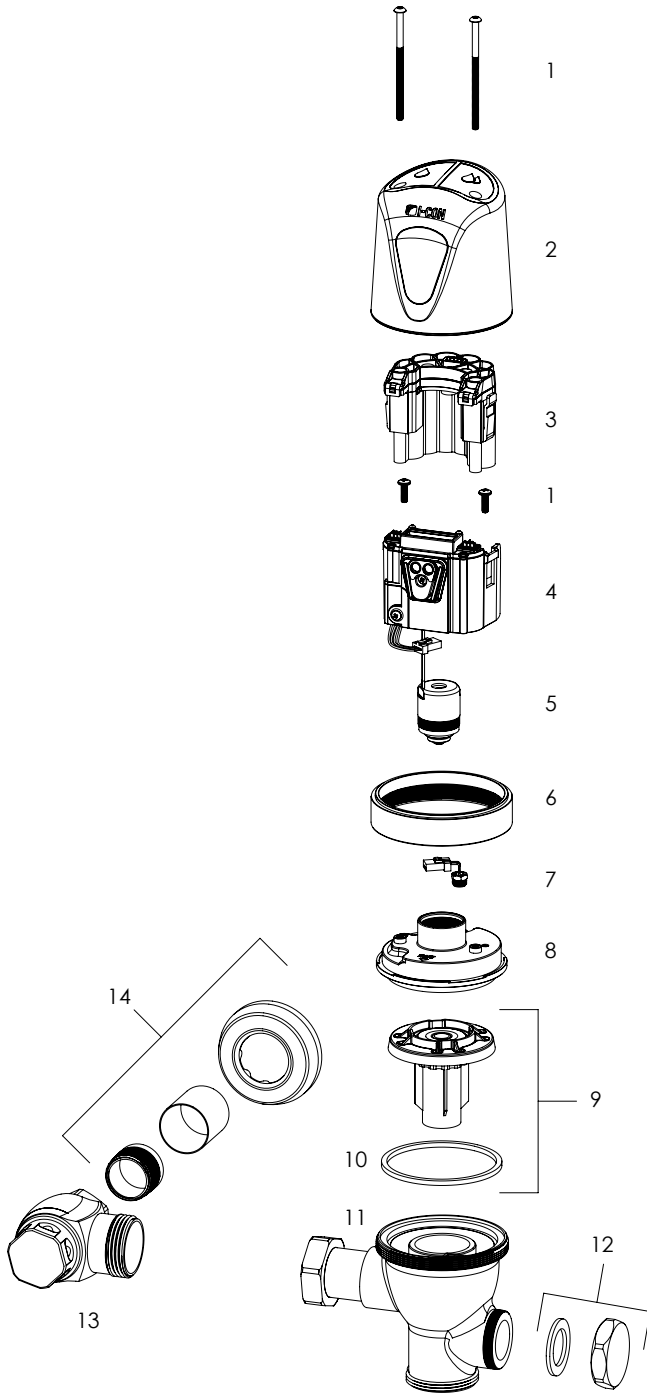


COBALT Pro® Exposed Sensor Flush Valve Exploded View



| Label | Part Variant | Part Number | Description |
|-------|--------------|--------------------------|--|
| 1 | - | 102085 | Hardware Kit |
| 2 | - | 103960 | Cover - External with Sensor Override Buttons |
| 3 | - | 101691 | Battery Module |
| 4 | A | 101768 | Control Module - COBALT Pro® CS3000 Series, Water Closet - Adjustable |
| 4 | B | 101769 | Control Module - COBALT Pro® CS3000 Series, Water Closet - 1.1 gpf / 4.2 Lpf |
| 4 | C | 101770 | Control Module - COBALT Pro® CS3000 Series, Water Closet - 1.28 gpf / 4.8 Lpf |
| 4 | D | 101771 | Control Module - COBALT Pro® CS3000 Series, Water Closet - 1.6 gpf / 6.0 Lpf |
| 4 | E | 101772 | Control Module - COBALT Pro® CS3000 Series, Water Closet - 2.4 gpf / 9.0 Lpf |
| 4 | F | 103910 | Control Module - COBALT Pro® CS3000 Series, Water Closet - 3.5 gpf / 13.2 Lpf |
| 4 | G | 101763 | Control Module - COBALT Pro® CS3000 Series, Urinal - Adjustable |
| 4 | H | 101764 | Control Module - COBALT Pro® CS3000 Series, Urinal - 0.125 gpf / 0.5 Lpf |
| 4 | I | 101765 | Control Module - COBALT Pro® CS3000 Series, Urinal - 0.25 gpf / 0.9 Lpf |
| 4 | J | 101766 | Control Module - COBALT Pro® CS3000 Series, Urinal - 0.5 gpf / 1.9 Lpf |
| 4 | K | 101767 | Control Module - COBALT Pro® CS3000 Series, Urinal - 1.0 gpf / 3.8 Lpf |
| 5 | - | 101160 | Solenoid |
| 6 | - | 101623 | Locking Ring - I-CON / Sloan® Thread, Chrome-Plated Brass |
| 7 | - | 101642 | Pressure and Temperature Sensor |
| 8 | - | 101622 | Cover - Internal |
| 9 | A | 101686 : Wtr Closet | COBALT Pro® and COBALT Connect® Rebuild Kit, Water Closet |
| 9 | B | 101686 : Urinal | COBALT Pro® and COBALT Connect® Rebuild Kit, Urinal |
| 10 | - | 100999 | Square-Profile O-Ring |
| 11 | - | 101063 | Valve Body - Chrome-Plated Brass |
| 12 | - | 101053 | Actuator Opening Cover with Seal |
| 13 | A | 100993 : 1" : CP Brass | 1" (25mm) Control Stop - Screwdriver Stop, Chrome-Plated Brass |
| 13 | B | 100993 : 3/4" : CP Brass | 3/4" (19mm) Control Stop - Screwdriver Stop, Chrome-Plated Brass |
| 14 | A | 102548 | 1" (25mm) Sweat Solder Kit - 6" Tube Cover, Wall Flange with Set Screw, and Threaded Adapter |
| 14 | B | 102549 | 3/4" (19mm) Sweat Solder Kit - 4" Tube Cover, Wall Flange with Set Screw, and Threaded Adapter |