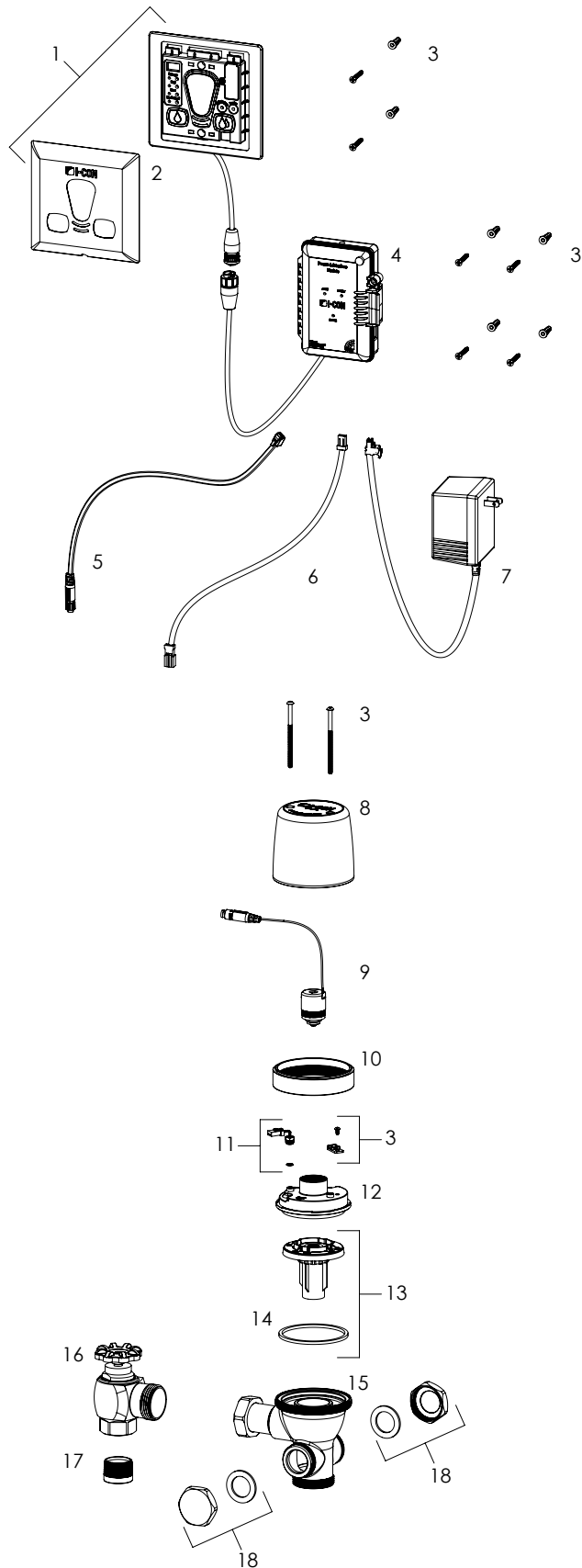


COBALT Pro® Wall Sensor Concealed Flush Valve Exploded View

101929 : 3200 Series



Label	Variant	Part Number	Description
1	A	102052	Control Module - COBALT Pro® PS3000A Series, Water Closet - 1.1 gpf / 4.2 Lpf
1	B	102053	Control Module - COBALT Pro® PS3000A Series, Water Closet - 1.28 gpf / 4.8 Lpf
1	C	102054	Control Module - COBALT Pro® PS3000A Series, Water Closet - 1.6 gpf / 6.0 Lpf
1	D	102055	Control Module - COBALT Pro® PS3000A Series, Water Closet - 2.4 gpf / 9.0 Lpf
1	E	102948	Control Module - COBALT Pro® PS3000A Series, Water Closet - 3.5 gpf / 13.2 Lpf
1	F	102047	Control Module - COBALT Pro® PS3000A Series, Urinal - 0.125 gpf / 0.5 Lpf
1	G	102048	Control Module - COBALT Pro® PS3000A Series, Urinal - 0.25 gpf / 0.9 Lpf
1	H	102049	Control Module - COBALT Pro® PS3000A Series, Urinal - 0.5 gpf / 1.9 Lpf
1	I	102050	Control Module - COBALT Pro® PS3000A Series, Urinal - 1.0 gpf / 3.8 Lpf
2	-	101733	Face Plate - Chrome Finish
3	-	102085	Hardware Kit
4	-	101726	Interface Module
5	A	100134 : 6'	Solenoid Cable - 6ft
5	B	100134 : 15'	Solenoid Cable - 15ft
6	A	101077	Pressure and Temperature Sensor Cable - 4ft
6	B	101078	Pressure and Temperature Sensor Cable - 8ft - Optional
7	-	100476 : 120V : 1.5 Amps : US Plug	Plug-in Transformer
8	-	101790	Cover - Black
9	-	101781	Solenoid
10	-	101629	Locking Ring - I-CON / Sloan® Thread, Raw Brass
11	-	101642	Pressure and Temperature Sensor
12	-	101622	Cover - Internal
13	A	101686 : Wtr Closet	COBALT Pro® and COBALT Connect® Rebuild Kit, Water Closet
13	B	101686 : Urinal	COBALT Pro® and COBALT Connect® Rebuild Kit, Urinal
14	-	100999	Square-Profile O-Ring
15	-	101486	Valve Body - Raw Brass
16	A	100993 : 1" : Raw Brass	1" (25mm) Angle Stop - Wheel Handle Stop, Raw Brass
16	B	100993 : 3/4" : Raw Brass	3/4" (19mm) Angle Stop - Wheel Handle Stop, Raw Brass
17	A	101478	3/4" (19mm) Sweat Solder Adapter - Raw Brass
17	B	101479	1" (25mm) Sweat Solder Adapter - Raw Brass
18	-	101477	Actuator Opening Cover with Seal