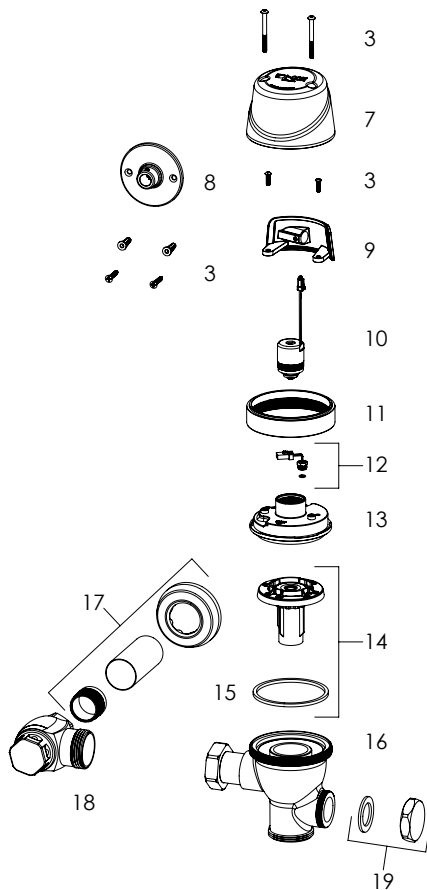
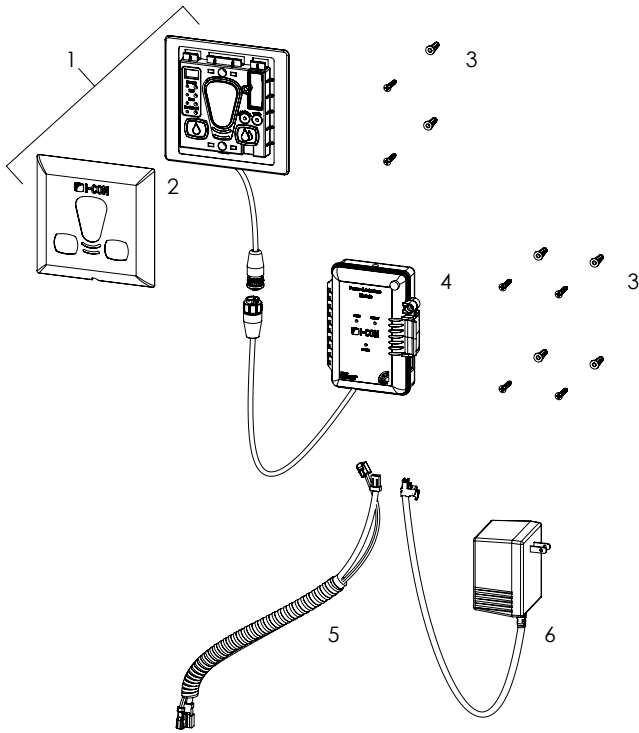


COBALT Pro® Wall Sensor Exposed Flush Valve Exploded View

101822 : 3000 Series



Label	Variant	Part Number	Description
1	A	102052	Control Module - COBALT Pro® PS3000A Series, Water Closet - 1.1 gpf / 4.2 Lpf
1	B	102053	Control Module - COBALT Pro® PS3000A Series, Water Closet - 1.28 gpf / 4.8 Lpf
1	C	102054	Control Module - COBALT Pro® PS3000A Series, Water Closet - 1.6 gpf / 6.0 Lpf
1	D	102055	Control Module - COBALT Pro® PS3000A Series, Water Closet - 2.4 gpf / 9.0 Lpf
1	E	102948	Control Module - COBALT Pro® PS3000A Series, Water Closet - 3.5 gpf / 13.2 Lpf
1	F	102047	Control Module - COBALT Pro® PS3000A Series, Urinal - 0.125 gpf / 0.5 Lpf
1	G	102048	Control Module - COBALT Pro® PS3000A Series, Urinal - 0.25 gpf / 0.9 Lpf
1	H	102049	Control Module - COBALT Pro® PS3000A Series, Urinal - 0.5 gpf / 1.9 Lpf
1	I	102050	Control Module - COBALT Pro® PS3000A Series, Urinal - 1.0 gpf / 3.8 Lpf
2	-	101733	Face Plate - Chrome Finish
3	-	102085	Hardware Kit
4	-	101726	Interface Module
5	-	102633	Pressure and Temperature Sensor and Solenoid Cable - 4ft
6	-	100476 : 120V : 1.5 Amps : US Plug	Plug-in Transformer
7	-	102546	Cover - External
8	-	102634	Wall Escutcheon
9	-	102547	Cover - External Rear
10	-	102644	Solenoid
11	A	101623	Locking Ring - I-CON / Sloan® Thread, Chrome Finish
11	B	101628	Locking Ring - Zurn® Thread, Chrome Finish
12	-	101642	Pressure and Temperature Sensor
13	-	101622	Cover - Internal
14	A	101686 : Wtr Closet	COBALT Pro® and COBALT Connect® Rebuild Kit, Water Closet
14	B	101686 : Urinal	COBALT Pro® and COBALT Connect® Rebuild Kit, Urinal
15	-	100999	Square-Profile O-Ring
16	-	101063	Valve Body - Chrome Finish
17	A	102548	1" (25mm) Sweat Solder Kit - 6" Tube Cover, Wall Flange with Set Screw, and Threaded Adapter
17	B	102549	3/4" (19mm) Sweat Solder Kit - 4" Tube Cover, Wall Flange with Set Screw, and Threaded Adapter
18	A	100993 : 1" : CP Brass	1" (25mm) Angle Stop - Screwdriver Stop - Chrome Finish
18	B	100993 : 3/4" : CP Brass	3/4" (19mm) Angle Stop - Screwdriver Stop - Chrome Finish
19	-	101053	Actuator Opening Cover with Seal