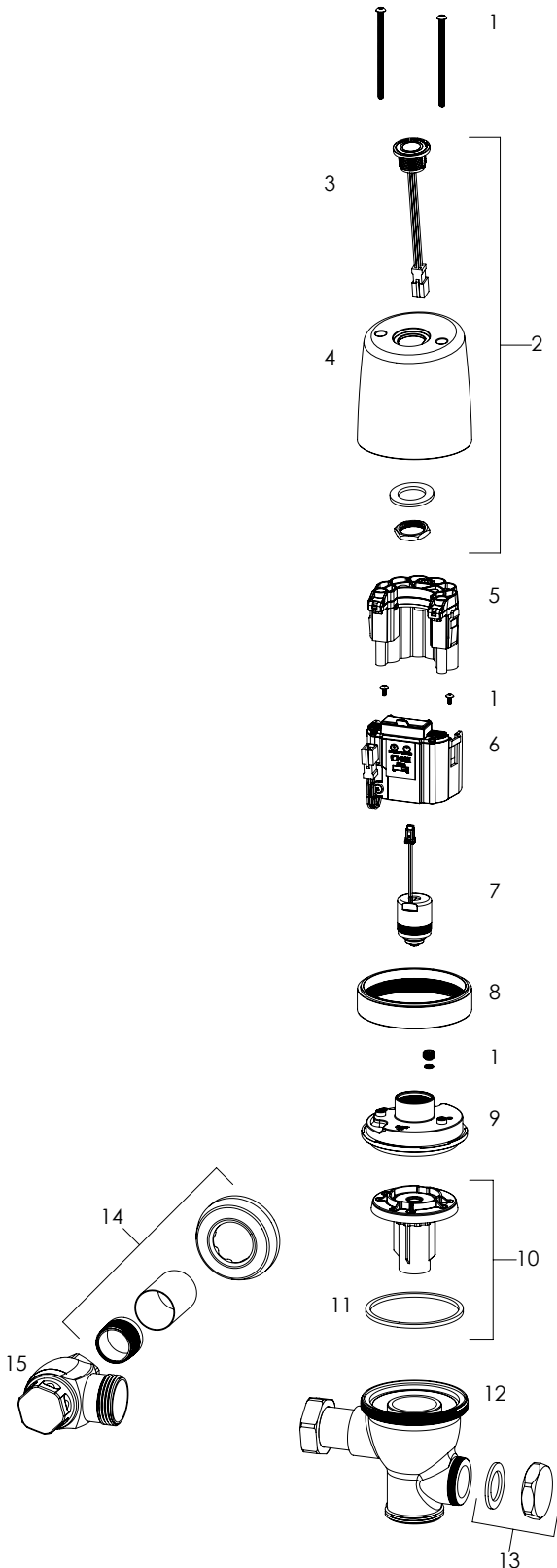


COBALT® Secure Exposed Sensor Flush Valve Exploded View



Number	Variant	Part Number	Description
1	-	102085	Hardware Kit
2	A	101694	LED Sensor Cap
2	B	102765	Standard Sensor Cap
3	A	102764	TruTOUCH® Sensor
3	B	101696	LED TruTOUCH® Sensor
4	-	101627	Chrome Cap
5	-	101693	Battery Module
6	A	101830	COBALT® Secure Exposed 2.4gpf 2 Use in 5 min Control Module
6	B	101864	COBALT® Secure Exposed Wide Range 2.4gpf 2 Use in 5 min Control Module
6	C	101868	COBALT® Secure Exposed Wide Range 0.5gpf 2 Use in 5 min Control Module
6	D	101933	COBALT® Secure Exposed 0.5gpf 2 Use in 5 min Control Module
6	E	101934	COBALT® Secure Exposed 1.28gpf 2 Use in 5 min Control Module
6	F	102058	COBALT® Secure Exposed Wide Range 1.28gpf 2 Use in 5 min Control Module
6	G	102075	COBALT® Secure Exposed Wide Range 1.6gpf 2 Use in 5 min Control Module
6	H	102133	COBALT® Secure Exposed 0.25gpf 2 Use in 5 min Control Module
6	I	102134	COBALT® Secure Exposed 1.0gpf 2 Use in 5 min Control Module
6	J	102135	COBALT® Secure Exposed 1.1gpf 2 Use in 5 min Control Module
6	K	102136	COBALT® Secure Exposed Wide Range 1.1gpf 2 Use in 5 min Control Module
6	L	102137	COBALT® Secure Exposed 1.6gpf 2 Use in 5 min Control Module
6	M	102143	COBALT® Secure Exposed Wide Range 0.25gpf 2 Use in 5 min Control Module
6	N	102959	COBALT® Secure Exposed 0.125gpf 2 Use in 5 min Control Module
6	O	102960	COBALT® Secure Exposed Wide Range 0.125gpf 2 Use in 5 min Control Module
6	P	102961	COBALT® Secure Exposed Wide Range 1.0gpf 2 Use in 5 min Control Module
6	Q	102962	COBALT® Secure Exposed 3.5gpf 2 Use in 5 min Control Module
6	R	102963	COBALT® Secure Exposed Wide Range 3.5gpf 2 Use in 5 min Control Module
7	-	101160	Solenoid
8	A	101623	Locking Ring - I-CON / Sloan® Thread, Chrome-Plated Brass
8	B	101628	Locking Ring - Zurn®, Chrome-Plated Brass
9	-	101622	Cover - Internal
10	A	101686 : Wtr Closet	COBALT Pro® and COBALT Connect® Rebuild Kit, Water Closet
10	B	101686 : Urinal	COBALT Pro® and COBALT Connect® Rebuild Kit, Urinal
11	-	100999	Square-Profile O-Ring
12	-	101063	Valve Body - Chrome-Plated Brass
13	-	101053	Actuator Opening Cover with Seal
14	A	102548	1" (25mm) Sweat Solder Kit - 6" Tube Cover, Wall Flange with Set Screw, and Threaded Adapter
14	B	102549	3/4" (19mm) Sweat Solder Kit - 4" Tube Cover, Wall Flange with Set Screw, and Threaded Adapter
15	A	100993 : 1" : CP Brass	1" (25mm) Angle Stop - Screwdriver Stop, Chrome-Plated Brass
15	B	100993 : 3/4" : CP Brass	3/4" (19mm) Angle Stop - Screwdriver Stop, Chrome-Plated Brass