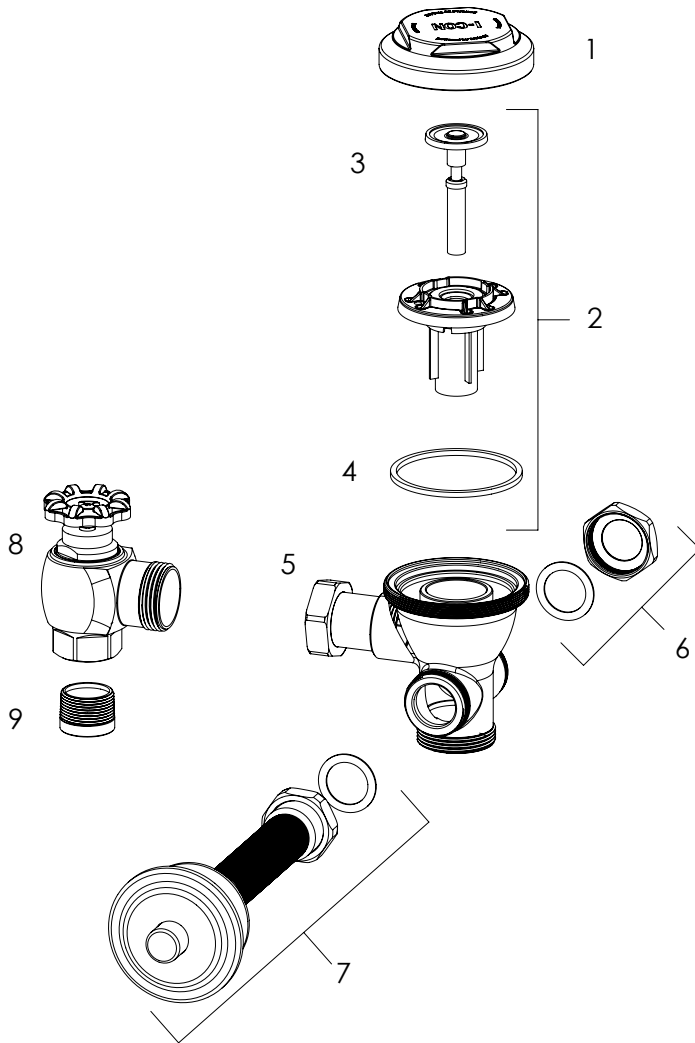


COBALT® Concealed Manual Flush Valve Exploded View

Part No. 101832 : 3200 Series



Label	Part Variant	Part Number	Description
1	A	101475	Cap - I-CON / Sloan® Thread, Raw Brass
1	B	101476	Cap - I-CON / Zurn® Thread, Raw Brass
2	A	101427 : 0.125 gpf	ProLAST® Manual Rebuild Kit, Urinal - 0.125 gpf / 0.5 Lpf
2	B	101427 : 0.25 gpf	ProLAST® Manual Rebuild Kit, Urinal - 0.25 gpf / 0.9 Lpf
2	C	101427 : 0.5 gpf	ProLAST® Manual Rebuild Kit, Urinal - 0.5 gpf / 1.9 Lpf
2	D	101427 : 1.0 gpf	ProLAST® Manual Rebuild Kit, Urinal - 1.0 gpf / 3.8 Lpf
2	E	101427 : 1.1 gpf	ProLAST® Manual Rebuild Kit, Water Closet - 1.1 gpf / 4.2 Lpf
2	F	101427 : 1.28 gpf	ProLAST® Manual Rebuild Kit, Water Closet - 1.28 gpf / 4.8 Lpf
2	G	101427 : 1.6 gpf	ProLAST® Manual Rebuild Kit, Water Closet - 1.6 gpf / 6.0 Lpf
2	H	101427 : 2.4 gpf	ProLAST® Manual Rebuild Kit, Water Closet - 2.4 gpf / 9.0 Lpf
2	I	101427 : 3.5 gpf	ProLAST® Manual Rebuild Kit, Water Closet - 3.5 gpf / 13.2 Lpf
3	A	100989	Trip Mechanism
4	A	100999	Square-Profile O-Ring
5	A	101486	Valve Body - Raw Brass
6	A	101477	Actuator Opening Cover with Seal
7	A	101922 : 3.75"	Push Rod Actuator Assembly - 3-3/4" "L" Dimension
7	B	101922 : 4.75"	Push Rod Actuator Assembly - 4-3/4" "L" Dimension
7	C	101922 : 5.75"	Push Rod Actuator Assembly - 5-3/4" "L" Dimension
7	D	101922 : 6.75"	Push Rod Actuator Assembly - 6-3/4" "L" Dimension
7	E	101922 : 7.75"	Push Rod Actuator Assembly - 7-3/4" "L" Dimension
7	F	101922 : 8.75"	Push Rod Actuator Assembly - 8-3/4" "L" Dimension
7	G	101922 : 9.75"	Push Rod Actuator Assembly - 9-3/4" "L" Dimension
7	H	101922 : 10.75"	Push Rod Actuator Assembly - 10-3/4" "L" Dimension
7	I	101922 : 11.75"	Push Rod Actuator Assembly - 11-3/4" "L" Dimension
7	J	101922 : 12.75"	Push Rod Actuator Assembly - 12-3/4" "L" Dimension
7	K	101922 : 13.75"	Push Rod Actuator Assembly - 13-3/4" "L" Dimension
7	L	101922 : 14.75"	Push Rod Actuator Assembly - 14-3/4" "L" Dimension
8	A	100993 : 3/4" : Raw Brass	3/4" (19mm) Control Stop - Wheel Handle Stop, Raw Brass
8	B	100993	1" (25mm) Control Stop - Wheel Handle Stop, Raw Brass
9	A	101478	3/4" (19mm) Sweat Solder Threaded Adapter
9	B	101479	1" (25mm) Sweat Solder Threaded Adapter