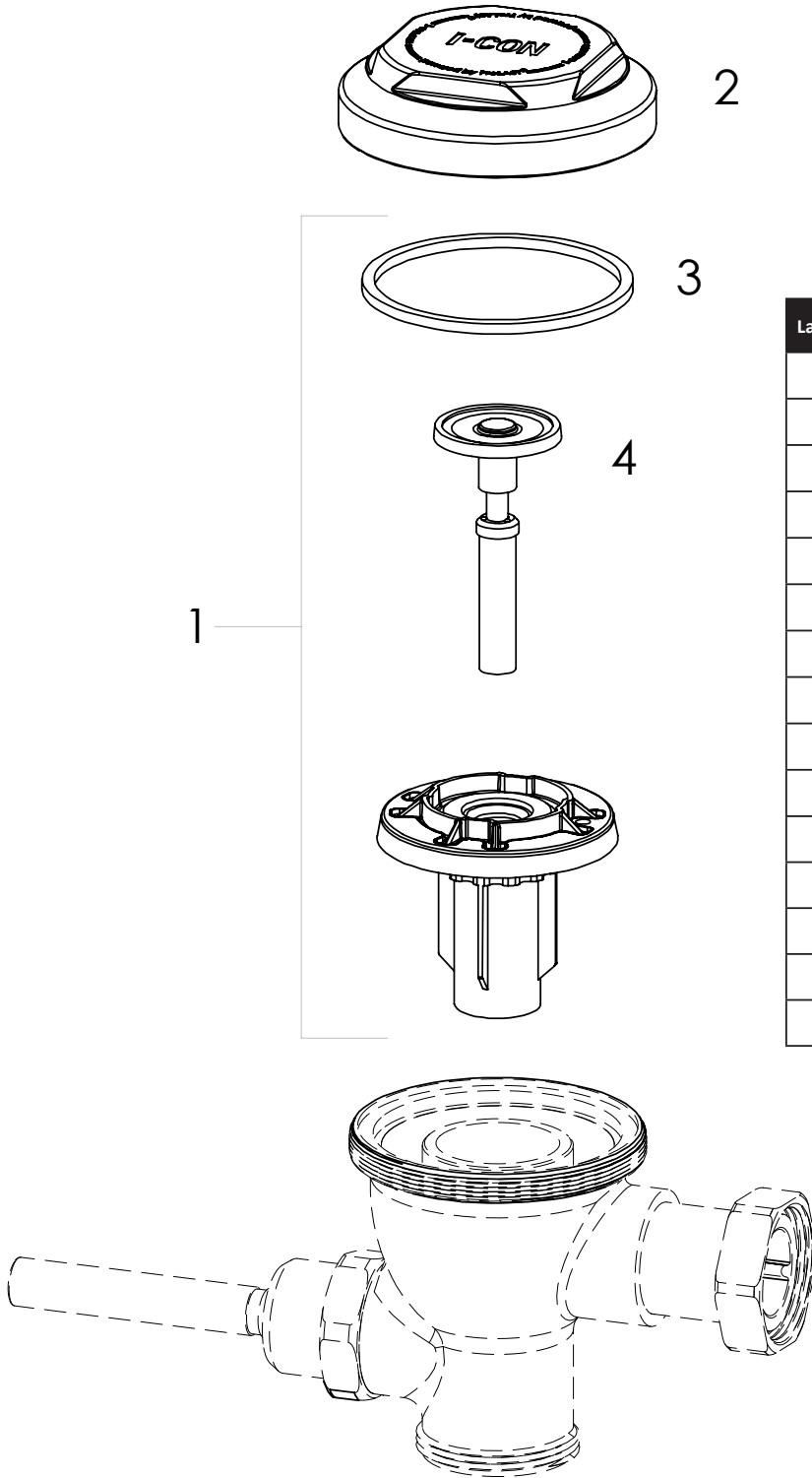


COBALT® Manual Flush Valve Retrofit Kit Exploded View

Part No. 101451/101776



| Label | Part Variant | Part Number | Description |
|-------|--------------|-----------------------|---|
| 1 | A | 101427 : 3000 : 0.125 | COBALT® Manual Rebuild Kit, Urinal - 0.125 gpf / 0.5 Lpf |
| 1 | B | 101427 : 3000 : 0.25 | COBALT® Manual Rebuild Kit, Urinal - 0.25 gpf / 1.0 Lpf |
| 1 | C | 101427 : 3000 : 0.5 | COBALT® Manual Rebuild Kit, Urinal - 0.5 gpf / 1.9 Lpf |
| 1 | D | 101427 : 3000 : 1.0 | COBALT® Manual Rebuild Kit, Urinal - 1.0 gpf / 3.8 Lpf |
| 1 | E | 101427 : 3000 : 1.1 | COBALT® Manual Rebuild Kit, Water Closet - 1.1 gpf / 4.2 Lpf |
| 1 | F | 101427 : 3000 : 1.28 | COBALT® Manual Rebuild Kit, Water Closet - 1.28 gpf / 4.8 Lpf |
| 1 | G | 101427 : 3000 : 1.6 | COBALT® Manual Rebuild Kit, Water Closet - 1.6 gpf / 6.0 Lpf |
| 1 | H | 101427 : 3000 : 2.4 | COBALT® Manual Rebuild Kit, Water Closet - 2.4 gpf / 9.0 Lpf |
| 1 | I | 101427 : 3000 : 3.5 | COBALT® Manual Rebuild Kit, Water Closet - 3.5 gpf / 13.2 Lpf |
| 2 | A | 100692 | Cap - I-CON / Sloan® Thread, Chrome Plated Brass |
| 2 | B | 100693 | Cap - Zurn® Thread, Chrome-Plated Brass |
| 2 | C | 101475 | Cap - I-CON / Sloan® Thread, Raw Brass |
| 2 | D | 101476 | Cap - Zurn® Thread, Raw Brass |
| 3 | - | 100999 | Square-Profile O-Ring |
| 4 | - | 100989 | Trip Mechanism |