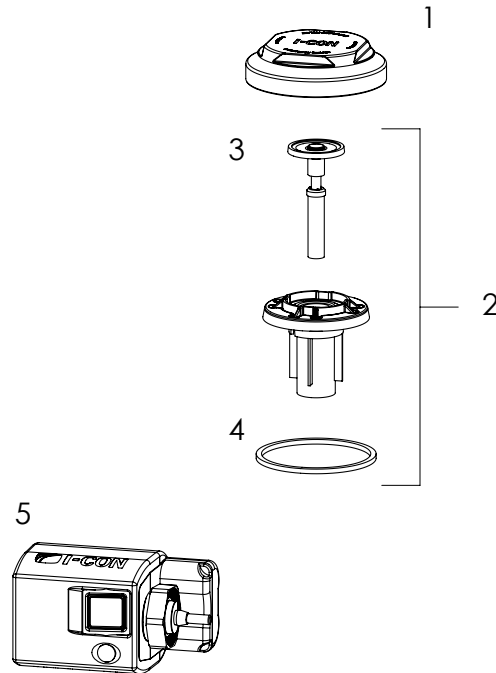


COBALT® Exposed Side Sensor Flush Valve Retrofit Kit Exploded View

Part No. 102876



Label	Part Variant	Part Number	Description
1	A	100692	I-CON Cap, Sloan® Thread, Chrome-Plated Brass
1	B	100693	I-CON Cap, Zurn® Thread, Chrome-Plated Brass
2	A	101427 : 0.125	COBALT® Manual Rebuild Kit, Urinal - 0.125 gpf / 0.5 Lpf
2	B	101427 : 0.25	COBALT® Manual Rebuild Kit, Urinal - 0.25 gpf / 0.9 Lpf
2	C	101427 : 0.5	COBALT® Manual Rebuild Kit, Urinal - 0.5 gpf / 1.9 Lpf
2	D	101427 : 1.0	COBALT® Manual Rebuild Kit, Urinal - 1.0 gpf / 3.8 Lpf
2	E	101427 : 1.1	COBALT® Manual Rebuild Kit, Water Closet - 1.1 gpf / 4.2 Lpf
2	F	101427 : 1.28	COBALT® Manual Rebuild Kit, Water Closet - 1.28 gpf / 4.8 Lpf
2	G	101427 : 1.6	COBALT® Manual Rebuild Kit, Water Closet - 1.6 gpf / 6.0 Lpf
2	H	101427 : 2.4	COBALT® Manual Rebuild Kit, Water Closet - 2.4 gpf / 9.0 Lpf
2	I	101427 : 3.5	COBALT® Manual Rebuild Kit, Water Closet - 3.5 gpf / 13.2 Lpf
3	-	100989	Trip Mechanism
4	-	100999	Square-Profile O-Ring
5	-	103557	Sensor Side-Mount Actuator