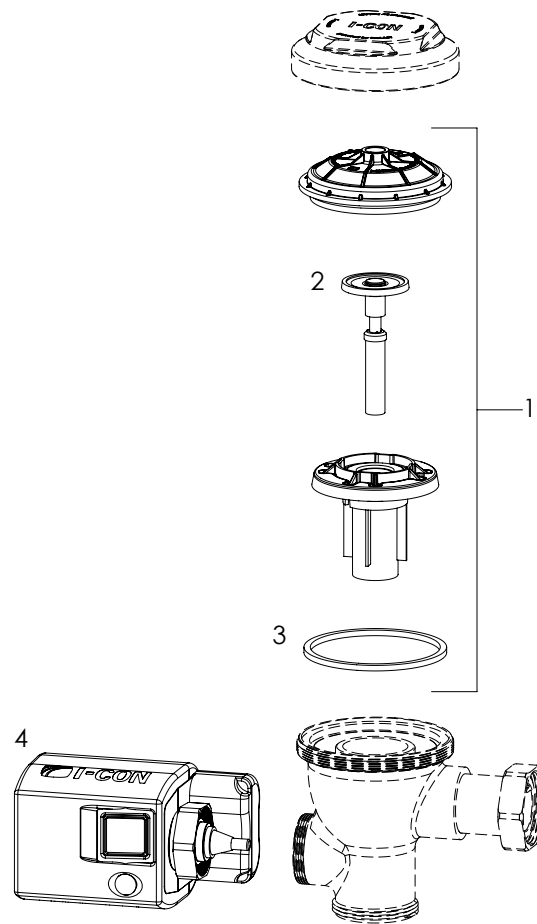


COBALT® Exposed Side Sensor Flush Valve Retrofit Kit with Internal Cap Exploded View

Part No. 103887



Label	Part Variant	Part Number	Description
1	A	103733 : 0.125 gpf	ProLAST® Retrofit Kit, Urinal - 0.125 gpf / 0.5 Lpf
1	B	103733 : 0.25 gpf	ProLAST® Retrofit Kit, Urinal - 0.25 gpf / 0.9 Lpf
1	C	103733 : 0.5 gpf	ProLAST® Retrofit Kit, Urinal - 0.5 gpf / 1.9 Lpf
1	D	103733 : 1.0 gpf	ProLAST® Retrofit Kit, Urinal - 1.0 gpf / 3.8 Lpf
1	E	103733 : 1.1 gpf	ProLAST® Retrofit Kit, Water Closet - 1.1 gpf / 4.2 Lpf
1	F	103733 : 1.28 gpf	ProLAST® Retrofit Kit, Water Closet - 1.28 gpf / 4.8 Lpf
1	G	103733 : 1.6 gpf	ProLAST® Retrofit Kit, Water Closet - 1.6 gpf / 6.0 Lpf
1	H	103733 : 2.4 gpf	ProLAST® Retrofit Kit, Water Closet - 2.4 gpf / 9.0 Lpf
1	i	103733 : 3.5 gpf	ProLAST® Retrofit Kit, Water Closet - 3.5 gpf / 13.2 Lpf
2	-	100989	Trip Mechanism
3	-	100999	Square-Profile O-Ring
4	-	103557	Electronic Side-Mount Actuator