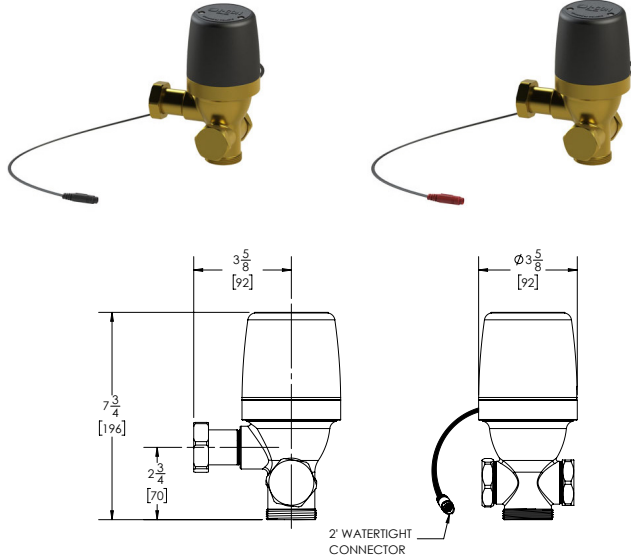


CONCEALED SENSOR FLUSH VALVES

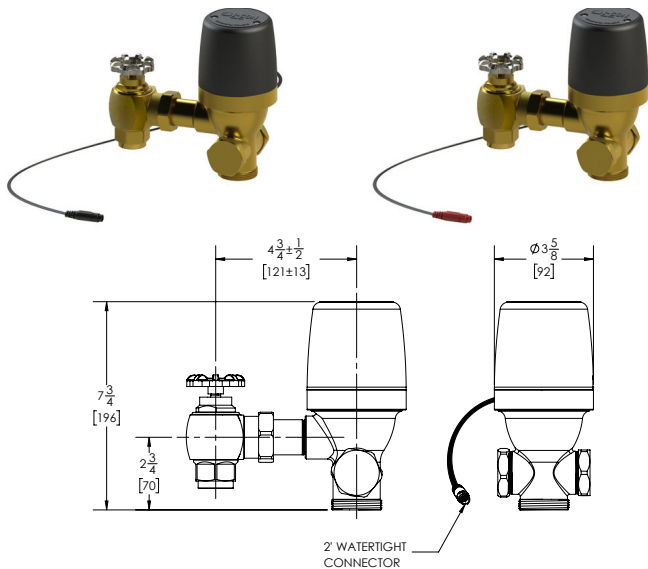
3200 : AC

3200 : DC

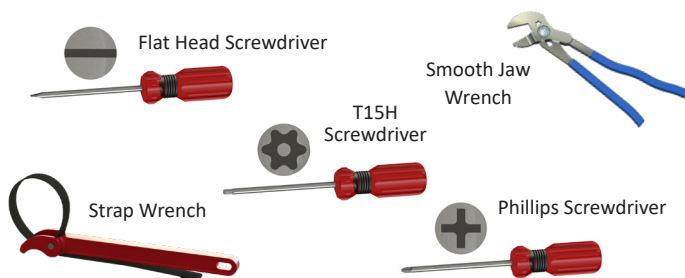


3205 : AC

3205 : DC



TOOLS NEEDED



PRIOR TO INSTALLATION

- All plumbing should be installed according to applicable state and local codes and regulations.
 - Before installation of the I-CON flush valve, ensure the water closet or urinal fixture, drain line, and water supply line are properly installed.
 - Water supply lines must be sized to allow for appropriate water flow for each fixture.
 - Flush all water supply lines of any debris before making any connections.
 - Do not use pipe sealant or plumbing grease on any components or couplings, with the exception of the control stop inlet.
 - A smooth jaw or strap wrench should be used for installation to prevent damage to the finish of the I-CON flush valve and components.
 - Check to ensure the "L" dimension specified on the flush valve packaging is correct for your application. "L" Dimension formula is provided below.
 "L" Dimension = Wall Thickness (to the nearest whole inch) + 2-3/4"
- The I-CON flush valve is designed to operate at water pressures ranging from 15 to 100psi (103 to 689kPa). The fixture type determines the minimum pressure required for the valve. Most low-consumption water closets are designed to operate with a minimum flowing water pressure of 25psi (172kPa).

LIMITED WARRANTY

I-CON Systems (I-CON) warrants that its commercial manufactured products are made of first-class materials, are free from defects, and are made to withstand normal use when installed properly. Products have the following warranty periods: 3 years for COBALT®, COBALT Pro®, and COBALT Connect® faucets and flush valves and I-CON EDGE® gateways. 1 year for all other products and decorative finishes. The warranty period begins on the date of purchase.

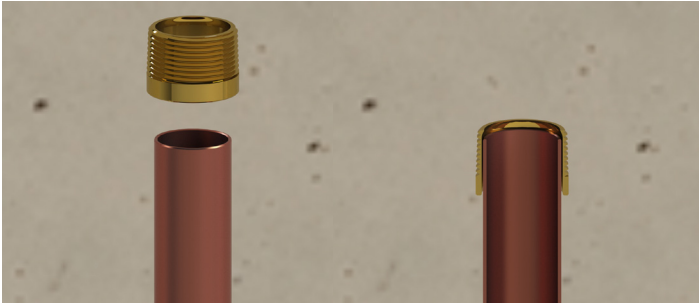
Products should be sent to I-CON at the customer's expense. I-CON will take a reasonable amount of time to determine if the product is defective and whether it will be repaired or replaced. During the warranty period, items will either be (1) repaired at no charge using new replacement parts or (2) replaced with either a new similar product or one manufactured from new or serviceable used parts that are, at minimum a functional equivalent to the original. The course of action will be determined at I-CON's discretion. Replacement products that are installed according to the instructions provided by I-CON will assume the remaining warranty of the original product. The limited warranty is only applicable to the product's materials and workmanship. No claims for labor, transportation, or other incidental or consequential costs will be allowed. No extended warranties are available. THE SOLE AND EXCLUSIVE REMEDY FOR ANY DEFECTIVE PRODUCT IS LIMITED TO REPAIRING OR REPLACING THE DEFECTIVE PRODUCT. Before installing and using products, the purchaser is responsible for determining the products' suitability and assumes all risks and liabilities related to the product.

This warranty only applies to persons and organizations that purchase I-CON products directly from I-CON or an authorized I-CON representative for the purpose of resale. This warranty does not apply to the life of batteries or other consumables.

**CONTROL STOP AND OPTIONAL SWEAT
SOLDER THREADED ADAPTER INSTALLATION
(FOR WATER SUPPLY LINES THAT DO NOT HAVE
MALE THREADS)**

Step 1

Slide threaded adapter onto water supply pipe. Ensure full insertion.



Step 2

Sweat solder threaded adapter to water supply pipe.



Step 3

Apply sealing compound to threaded adapter. Tighten control stop onto threaded adapter using a smooth jaw wrench.



Step 4

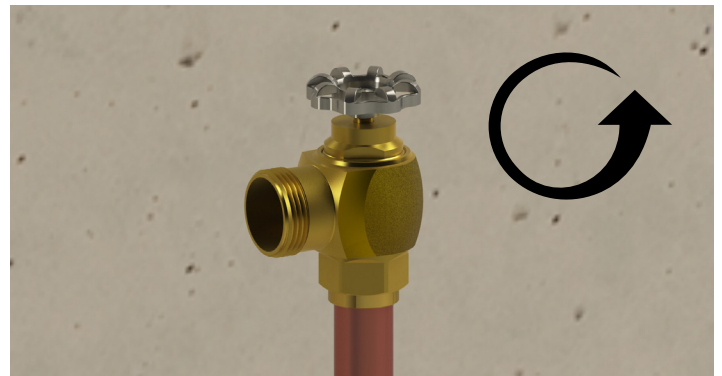
Turn adjustment wheel on control stop **CLOCKWISE** to ensure control stop is closed. Turn on water supply and check for leaks.



FLUSHING SUPPLY LINE

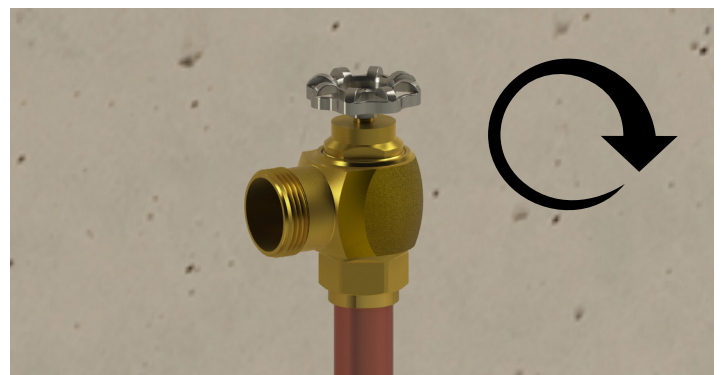
Step 1

Turn adjustment wheel **COUNTERCLOCKWISE** to open control stop. Flush out debris into bucket.



Step 2

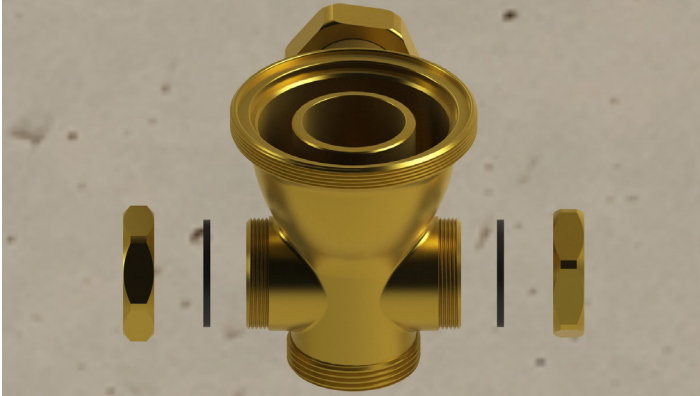
Turn adjustment wheel **CLOCKWISE** to close control stop.



FLUSH VALVE AND VACUUM BREAKER INSTALLATION

Step 1

Install actuator cover on flush valve body.



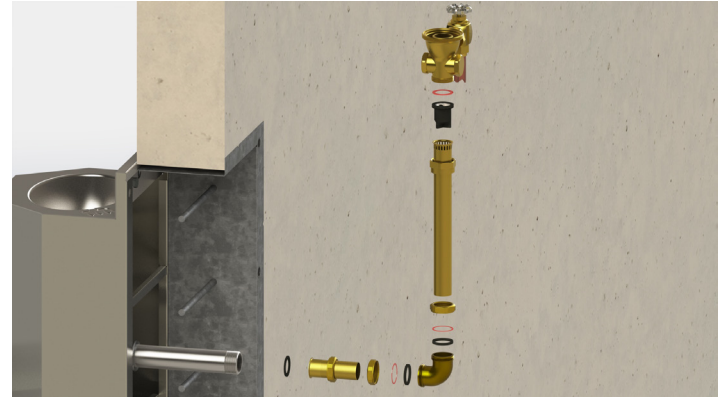
Step 2

Lubricate tailpiece O-ring with water. Insert flush valve tailpiece into control stop.



Step 3

Assemble vacuum breaker tube and spud escutcheon assemblies as shown. **NOTE:** The vacuum breaker tube may need to be cut to fit properly. If using scored vacuum breaker, always cut from scored end and leave at least 1-1/4" (32mm) of scoring.



Step 4

Ensure flush valve is properly aligned with fixture and vacuum breaker tube. Tighten connections by hand.



Step 5

Once properly aligned, tighten connections with a smooth jaw wrench.



ProLAST® T-SEAL AND FLUSH VALVE CAP ASSEMBLY INSTALLATION

Step 1

Insert ProLAST® T-Seal into flush valve body.



Step 2

Place square-profile O-ring into groove on bottom of the flush valve cap assembly. Place flush valve cap assembly onto flush valve body.



Step 3

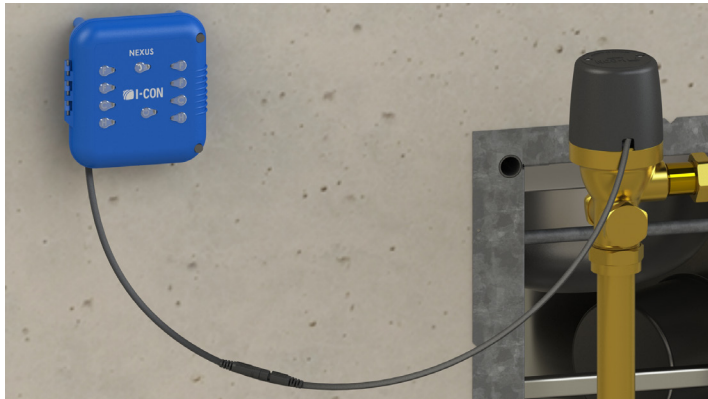
Tighten locking ring by hand to flush valve body.



CONNECTING TO EXTERNAL CONTROLLER

Step 1

Connect solenoid wire to appropriate output port on controller. Black watertight connectors are used for AC controllers while red watertight connectors are used for DC controllers.



Black (24VAC) Watertight Connector



Red (Battery) Watertight Connector

Step 2

Refer to controller documentation for programming information.

ADJUSTING CONTROL STOP

Step 1

Turn adjustment wheel **COUNTERCLOCKWISE** 1/2 turn from closed position. Activate flush valve.



Step 2

To adjust flush valve, turn adjustment screw in small increments. Activate flush valve after each adjustment. The proper flow rate should completely cleanse fixture without splashing water outside of fixture.

NOTE: The flow from the valve must never exceed the flow capacity of the fixture. If a valve failure should occur, the fixture must be able to accommodate a continuous flow from the valve.



INSTALLATION COMPLETE

CARE AND CLEANING

DO NOT use commercial cleaning compounds to clean flush valve. Abrasive or chemical cleaners may dull luster and attack finishes. Use mild soap and water and then dry with a clean nonabrasive cloth or towel. A microfiber cloth is recommended. Protect flush valve from any splattering when cleaning the floor, tile, or fixtures. **DO NOT USE ACID OR ALCOHOL BASED CLEANERS.**