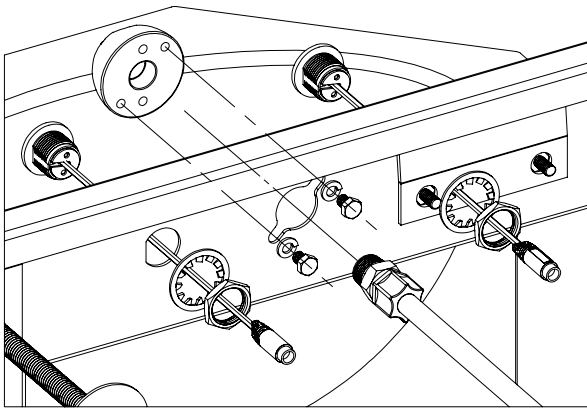


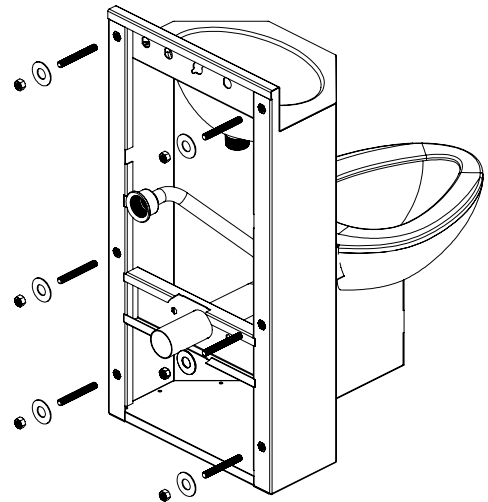
## REAR ACCESS BUBBLER & ACTUATORS



Prior to fixture installation, install optional bubbler and actuators to backsplash using provided supplementary hardware.

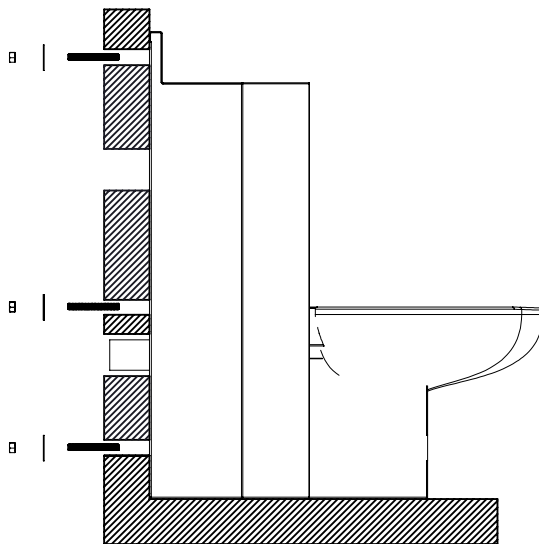
- Attach water supply to bubbler.
- Secure bubbler to backsplash.
- Install TruTOUCH® sensor using provided hardware.
- Feed TruTOUCH® sensor cables through chase wall.

## REAR ACCESS EXPLODED VIEW



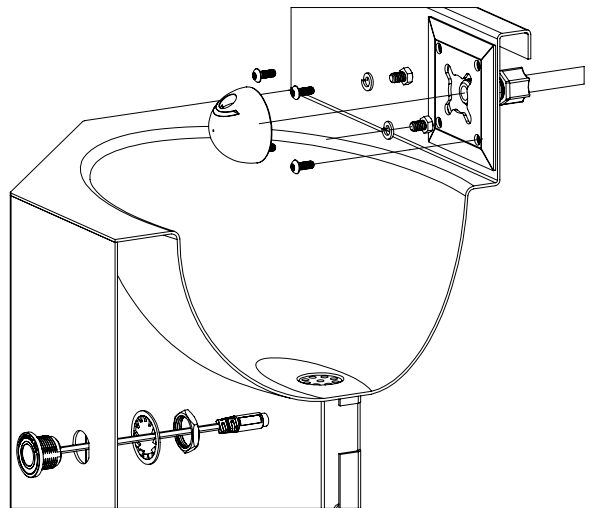
**NOTE:** Test all electronics and water lines before mounting fixture.

## REAR ACCESS MOUNTING



- Rough in for supply inlet and toilet & lavatory waste plumbing connections (refer to cutsheet).
- Drill 1" holes at specified mounting locations (refer to cutsheet).
- Thread provided studs into the rear of the fixture.
- Secure the fixture to the wall using the provided washer and nut (torque to 60 ft-lbs).

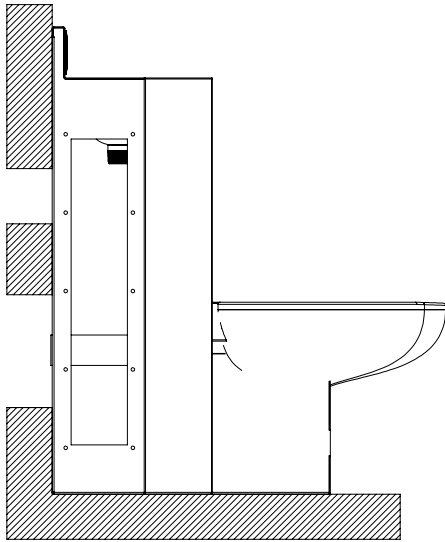
## FRONT ACCESS BUBBLER & ACTUATORS



Prior to fixture installation, install optional bubbler and actuators to fixture using provided supplementary hardware.

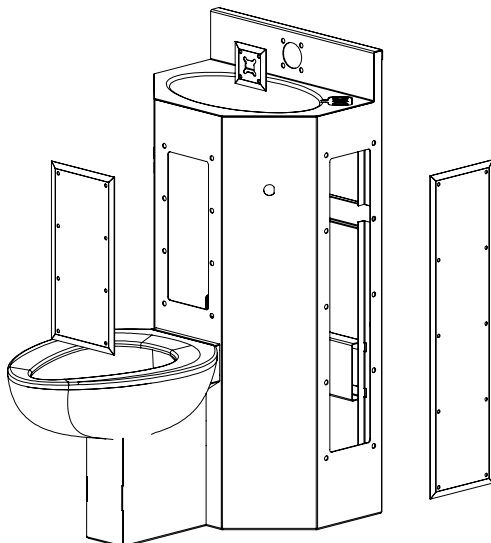
- Fasten the bubbler to the bubbler plate.
- Attach water supply to bubbler.
- Install TruTOUCH® sensor using provided hardware.

## FRONT ACCESS MOUNTING



- Rough in for toilet & lavatory waste and inlet plumbing connections (refer to cutsheet).

## FRONT ACCESS EXPLODED VIEW



- Install flush valve and inlet supply.
- Test all electronics and water lines before mounting fixture.
- Secure the fixture to the wall using wall anchor / tapcon screws (provided by others).
- After mounting fixture attach access panels.

## REMOVABLE 90° ELBOW

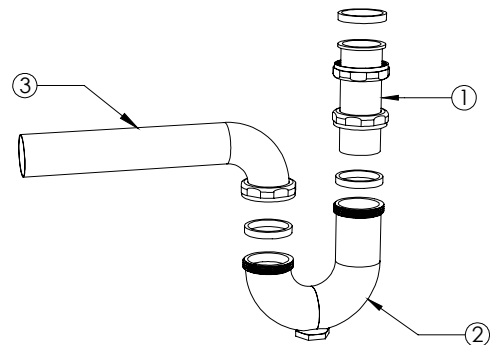
(101907)



- Secure the thru wall elbow to the 1-1/2" threaded outlet on the lavatory.
- Connect the end of the thru wall elbow to the existing waste.

## REMOVABLE P-TRAP IN CABINET

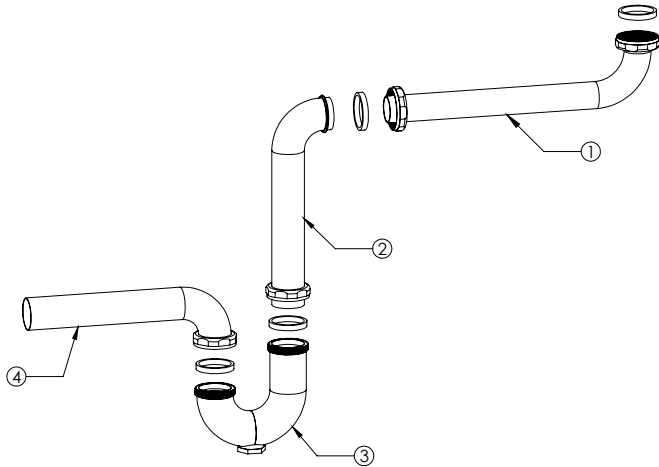
(101592)



- Secure the down tube (1) to the 1-1/2" male npt threaded outlet on the lavatory.
- Assemble the down tube (1), p-trap (2), and waste elbow (3) as shown.
- Connect the end of the waste elbow (3) to the existing waste.

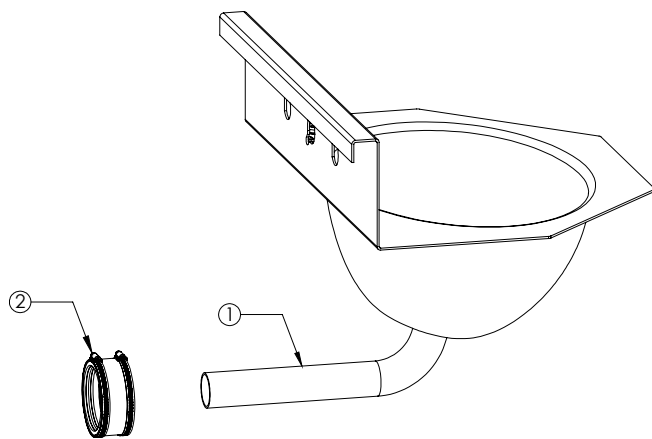
## THRU-WALL CONNECTION WITH P-TRAP

(101593)



- Secure thru wall elbow (1) to the 1-1/2" male npt threaded outlet on the lavatory.
- Assemble slip joint elbow (2), removable p-trap (3), and waste elbow (4) as shown.
- Connect the end of the waste elbow (4) to the existing waste.

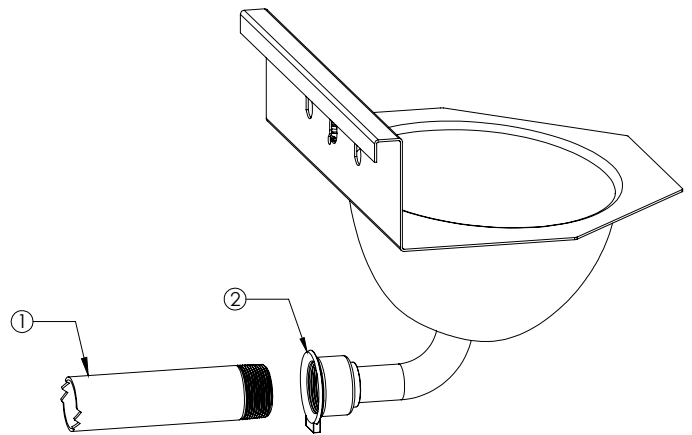
## PLAIN END CONNECTION



- Install the no-hub coupling (2) to the waste pipe (1).
- Install the no-hub coupling (2) to the existing waste.

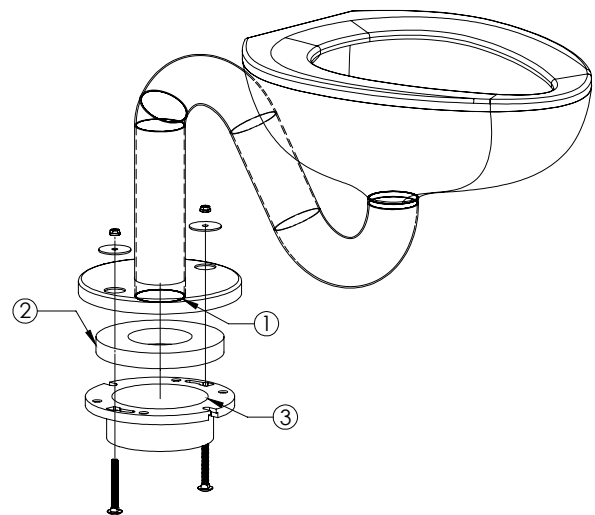
**NOTE:** Cleanout tee waste fitting & no-hub couplings provided by other.

## 1-1/2" FIPT CONNECTION



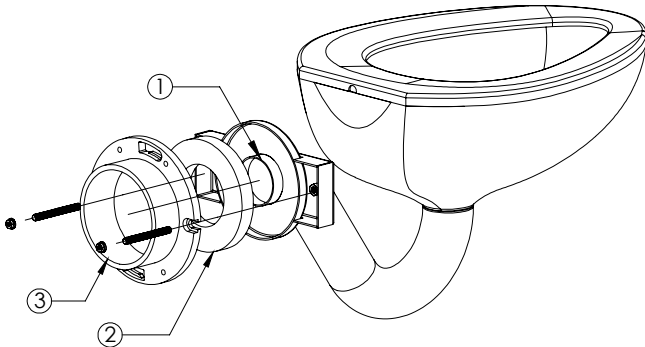
- Connect existing waste 1-1/2" male npt (1) to the 1-1/2" npt coupling (2).

## GASKET WASTE CONNECTION FLOOR OUTLET



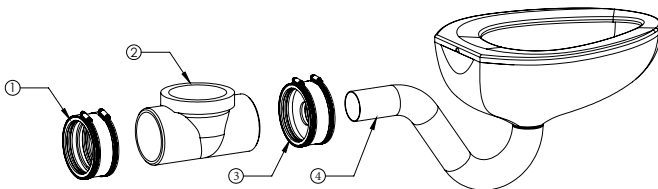
- Slide the center of the wax ring (2) (provided by others) over the end of the waste pipe (3).
- Position the waste outlet (1) over the rough in (3) and fasten the fixture to the floor using closet-bolts (provided by others).

## GASKET WASTE CONNECTION WALL OUTLET



- Slide the center of the wax ring (2) (provided by others) over the end of the waste pipe (1).
- Position the waste outlet (1) over the rough in (3).
- Fasten the 5/16" threaded rod into the flange nut.
- Secure the gasket waste to the wall by fastening the nut and washer from the chase side.

## THROUGH WALL WASTE CONNECTION



- Install no-hub couplings (1) & (3) to the cleanout tee (2).
- Install the no-hub coupling (3) to the waste pipe & no-hub coupling (1) to the existing waste.

**NOTE:** Cleanout tee waste fitting and no-hub couplings sold separately.

## INSTALLATION COMPLETE