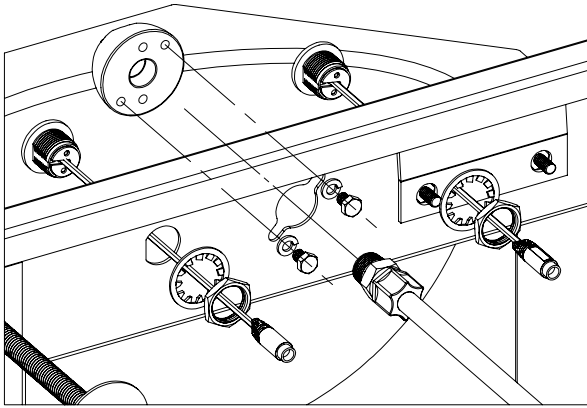


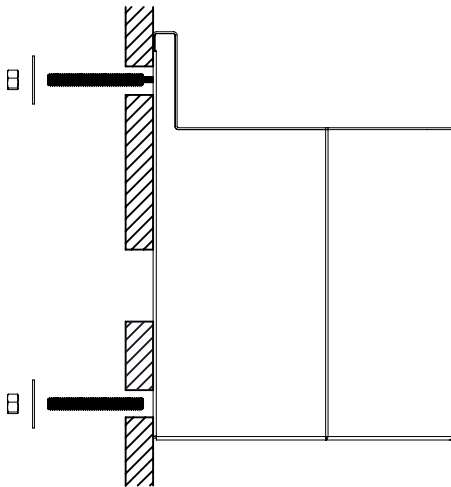
BUBBLER & ACTUATORS



Prior to fixture installation, install optional bubbler and actuators to backsplash using provided supplementary hardware.

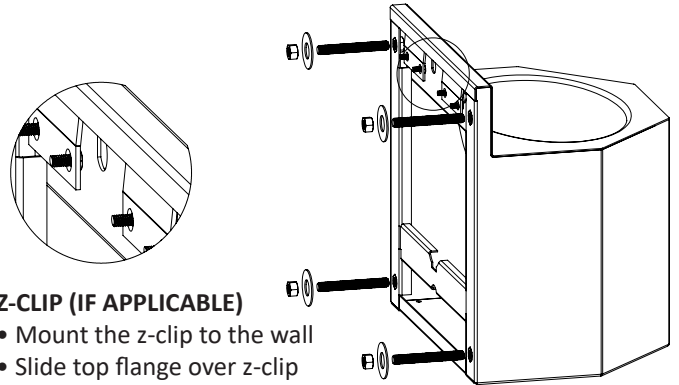
- Attach water supply to bubbler.
- Secure bubbler to backsplash.
- Install TruTOUCH® sensor using provided hardware.
- Feed TruTOUCH® sensor cables through chase wall.

MOUNTING THE FIXTURE



- Refer to cutsheet for rough in and mounting
- Rough in for waste & plumbing connections.
- Drill 1" holes at specified mounting locations.
- Thread provided studs into the rear of the fixture.
- Secure the fixture to the wall using the provided washer and nut (torque to 60 ft-lbs).

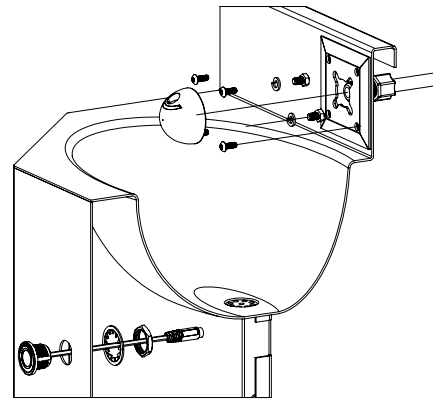
EXPLODED VIEW



Z-CLIP (IF APPLICABLE)

- Mount the z-clip to the wall
- Slide top flange over z-clip

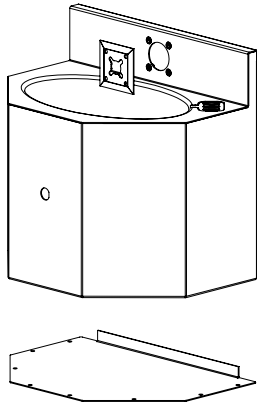
FRONT ACCESS BUBBLER & ACTUATORS



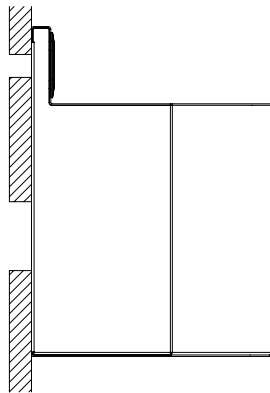
Prior to fixture installation, install optional bubbler and actuators to fixture using provided supplementary hardware.

- Fasten the bubbler to the bubbler plate.
- Attach water supply to bubbler.
- Install TruTOUCH® sensor using provided hardware.

FRONT ACCESS EXPLODED VIEW

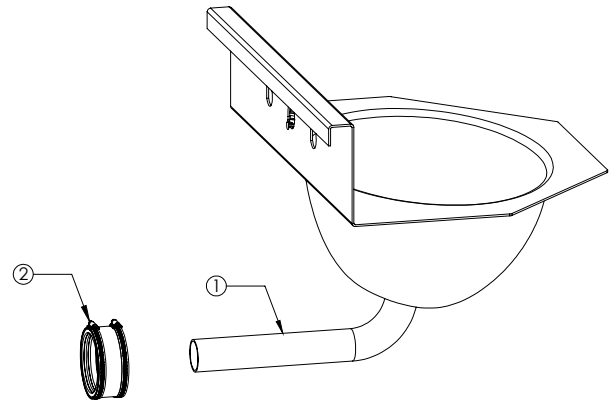


FRONT ACCESS MOUNTING



- Rough in for toilet & lavatory waste and inlet plumbing connections (refer to cutsheet).
- Test all electronics and water lines before mounting fixture.
- Secure the fixture to the wall using wall anchor / tapcon screws (provided by others).
- After mounting fixture attach access panels.

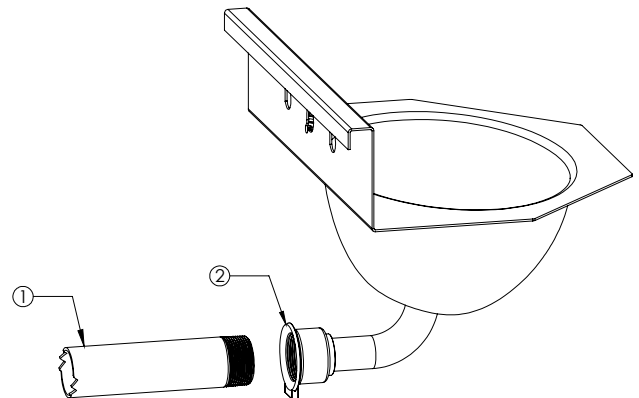
PLAIN END CONNECTION



- Install the no-hub coupling (2) to the waste pipe (1).
- Install the no-hub coupling (2) to the existing waste.

NOTE: Cleanout tee waste fitting and no-hub couplings provided by other.

1-1/2" FIPT CONNECTION



- Connect existing waste 1-1/2" male npt (1) to the 1-1/2" npt coupling (2).

REMOVABLE 90° ELBOW

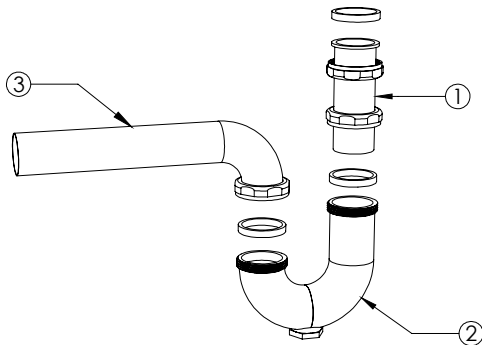
(101907)



- Secure the thru wall elbow to the 1-1/2" threaded outlet on the lavatory.
- Connect the end of the thru wall elbow to the existing waste.
- Once waste is installed, attach bottom panel for front access fixtures.

REMOVABLE P-TRAP IN CABINET

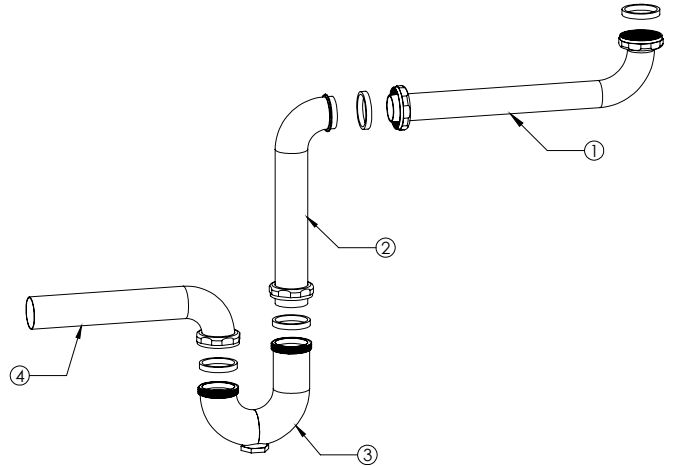
(101592)



- Secure the down tube (1) to the 1-1/2" male npt threaded outlet on the lavatory.
- Assemble the down tube (1), p-trap (2), and waste elbow (3) as shown.
- Connect the end of the waste elbow (3) to the existing waste.
- Once waste is installed, attach bottom panel for front access fixtures.

THRU-WALL CONNECTION WITH P-TRAP

(101593)



- Secure thru wall elbow (1) to the 1-1/2" male npt threaded outlet on the lavatory.
- Assemble slip joint elbow (2), removable p-trap (3), and waste elbow (4) as shown.
- Connect the end of the waste elbow (4) to the existing waste.
- Once waste is installed, attach bottom panel for front access fixtures.

INSTALLATION COMPLETE