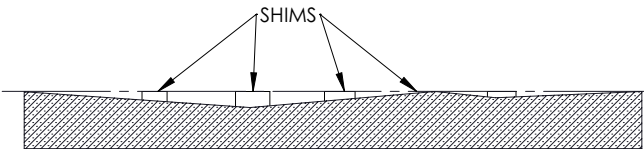
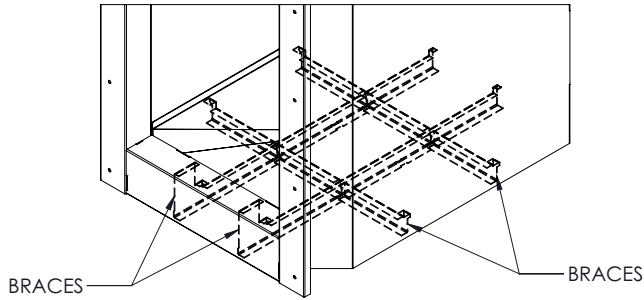
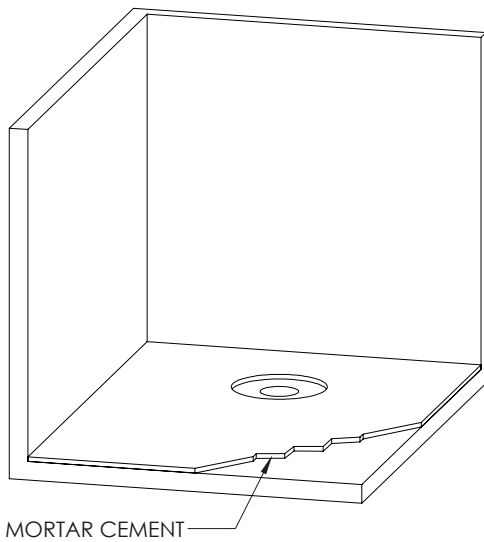


SHIMMING



- Measure the level of the floor by placing a long level along the floor where the outer edges of the receptor and support braces will sit.
- Place shims under the level as necessary until the bubble is centered or a zero degree angle is reach.
- Repeat the previous steps for all bracing locations.
- Run the level along the shimmed location in various direction to ensure all shims are level with each other.

MOTAR (PERMANENT)

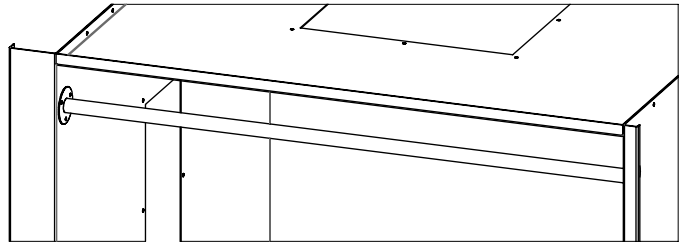


- Mix mortar cement (or desired cement mix).
- Place a generous amount of cement along the floor where the receptor will be placed (keep approximately a 3 inch gap

between the drain hole and the cement).

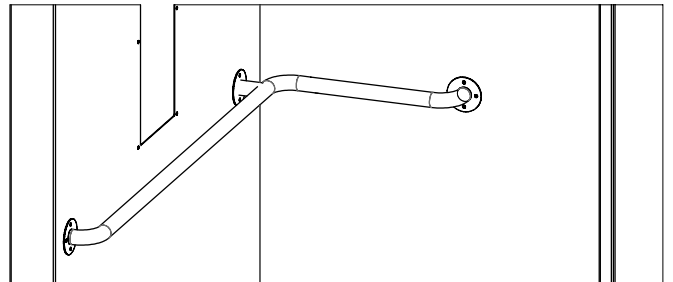
- Spread the cement evenly and ensure it is level.
- Allow time for the cement to settle and cure.
- Push the shower cabinet into place, aligning the pre-existing drain hole with the drain location of the shower cabinet.

CURTAIN ROD



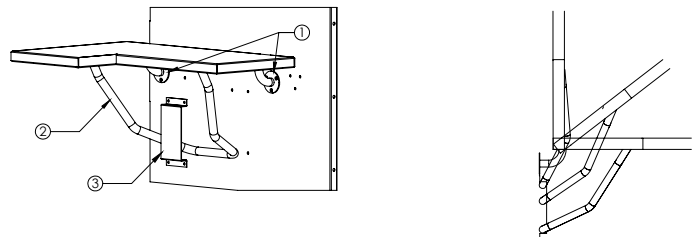
- Position the curtain rod, as shown above, and fasten the two end flanges to their corresponding panels using the supplied 1/4-20 security screws.

ADA GRAB BAR



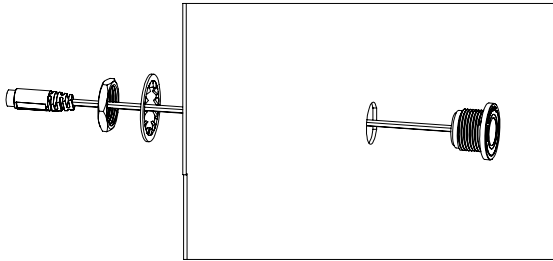
- Position the grab bar, as shown above, and fasten the support flanges to their corresponding panels using the supplied 1/4-20 security screws.

ADA SHOWER SEAT



- Secure the rod flanges (1) to the shower cabinet using the provided hardware.
- Place the seat channel brace (3) over the seat arm (2) as shown above.
- Secure the brace to the shower cabinet using the hardware provided.

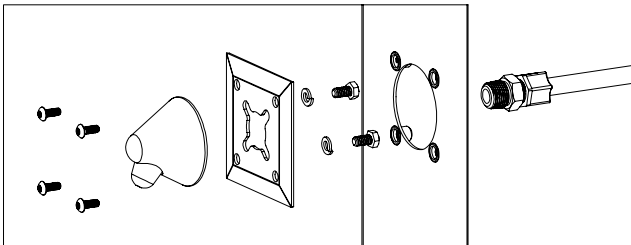
TruTOUCH® SENSOR



- Feed the sensor cable through the d-hole.
- Feed the cable through the washer and nut.
- Tighten the nut to secure the TruTOUCH® sensor.

Run all water and electrical lines & test all equipment and products (desirable flow rate, run time, no leaks, etc.). Ensure everything is correctly installed and fully operational before mounting the shower panel (if applicable).

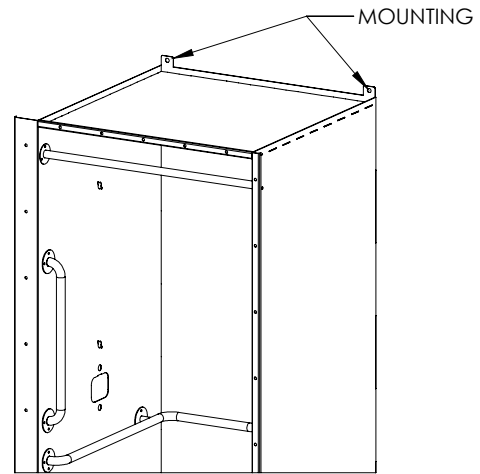
SHOWERHEAD



- Attach the showerhead to the ss plate (if applicable).
- Attach the compression fitting to the water line.
- Attach compression fitting to the showerhead.
- Attach the showerhead (or ss plate, if applicable) to the shower cabinet.

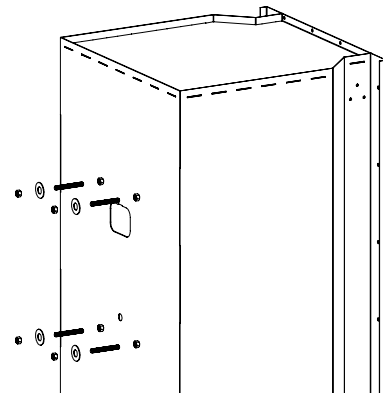
Run all water and electrical lines & test all equipment and products (desirable flow rate, run time, no leaks, etc.). Ensure everything is correctly installed and fully operational before mounting the shower panel (if applicable).

ADA INSTALLATION



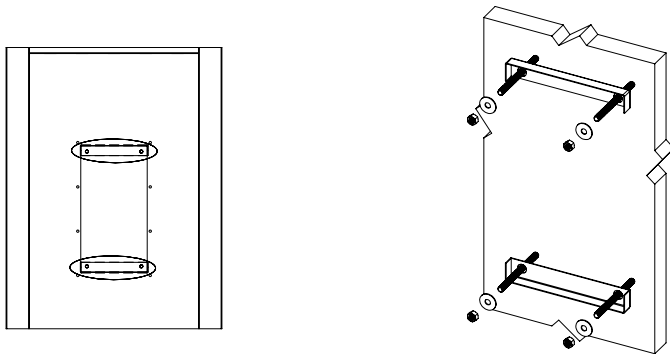
- Push the shower cabinet into location, aligning the pre-existing drain hole with the drain location of the shower cabinet.
- Using tapcon screw or wall anchor (provided by others), mount the ada shower (refer to cutsheet for mounting locations).

REAR ACCESS INSTALLATION



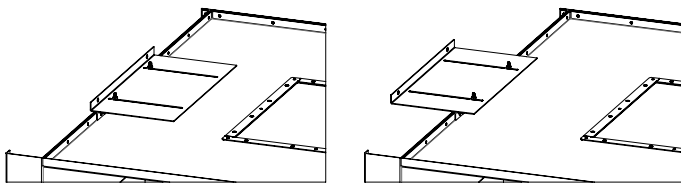
- Push the shower cabinet into location, aligning the pre-existing drain with the drain location of the shower cabinet.
- Rough in for mounting (refer to cutsheet)
- From the chase side, fasten the threaded rods into the nuts on the shower cabinet.
- Secure the cabinet by fastening the nut and washer into the threaded rod.

FRONT ACCESS BRACKET INSTALLATION



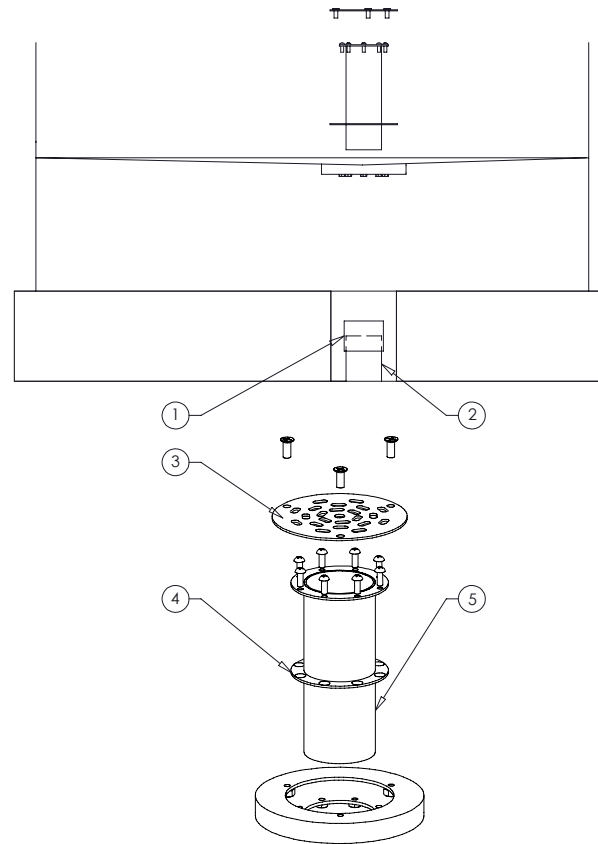
- Push the shower cabinet into location, aligning the pre-existing drain with the drain location of the shower.
- Secure studs to wall at mounting locations.
- Secure shower cabinet with nut and washer (provided by others).
- After shower cabinet is installed, be sure to attach access and shower panels.

FRONT ACCESS CEILING BRACES



- Install the top braces to the L brackets on the top panel of the shower cabinet using the 1/4-20 hex nut and bolt provided. (Do not secure the top brace to the L bracket, allow it to slide back and forth).
- Push the shower cabinet into location, aligning the pre-existing drain with the drain location of the shower.
- From inside the shower, go through the top access opening and push the top brace plates out so they are flush with the wall.
- Tighten the nut and bolt that secure the top brace to the L bracket.
- Mount the top brace flange to the wall.
- Fasten the access panel to the shower ceiling using the provided hardware.

REMOVABLE NO CAULK DRAIN

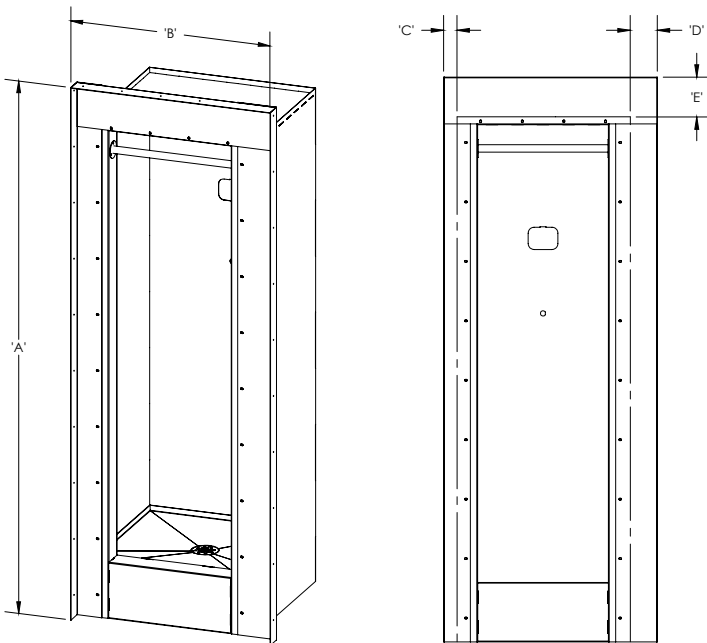


- Install optional donut (1) over existing waste tube (2).
- Fit supplied gasket (4) onto drain pipe (5).
- Place drain pipe into donut. Secure using the supplied #10-24 security screws.
- Install drain strainer (3) with the supplied 1/4-20 flat head security screw.

CLOSURE PLATE INSTALLATION

NOTE: Closure plates typically ship after shower cabinets are installed to allow for the gathering of dimensions to ensure the proper fitting of the closure plates. Post installation dimensions that are required are listed below.

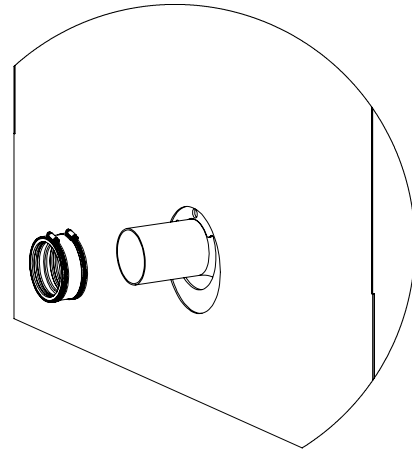
- Measure the height from the finished floor to the ceiling ('A' dimension).
- Measure the width of the left wall to the right wall ('B' dimension).
- Measure width of finished wall to end of shower cabinet ('C' & 'D' dimensions).
- Measure height of finished ceiling to top of shower cabinet ('E' dimension).



- Place the left & right closure plates in their appropriate location.
- Mount the closure plates to the shower cabinet using the provided hardware.
- Mount the closure plates to the wall using tapcon screws (provided by others).
- Repeat the above steps for the top closure plate.

NOTE: Closure plates may be cut to size if modifications are required.

PLAIN END CONNECTION



- Attach the no hub coupling to the shower cabinet plain end waste pipe.
- Attach the other end of the no hub coupling to the existing waste pipe.

INSTALLATION COMPLETE