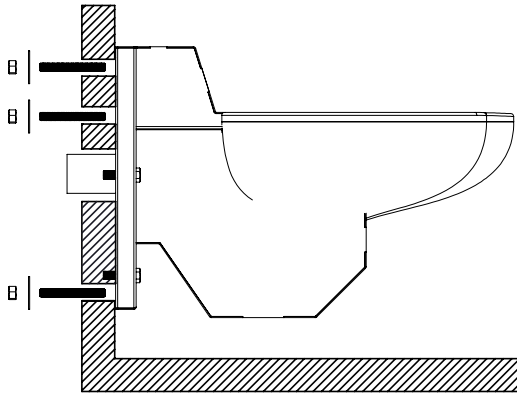
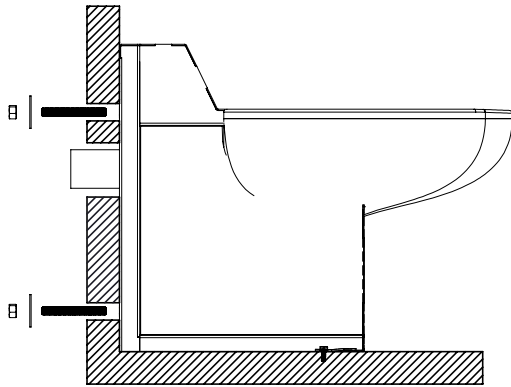


REAR ACCESS WALL MOUNT FIXTURE



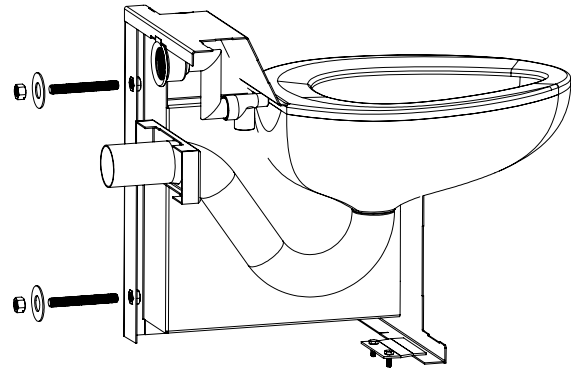
- Rough in for supply inlet & toilet waste plumbing connections (refer to cutsheet).
- Drill 1" holes at specified mounting locations (refer to cutsheet).
- Thread provided studs into the rear of the fixture.
- Secure the fixture to the wall using the provided washer and nut (torque to 60 ft-lbs).

REAR ACCESS FLOOR MOUNT FIXTURE



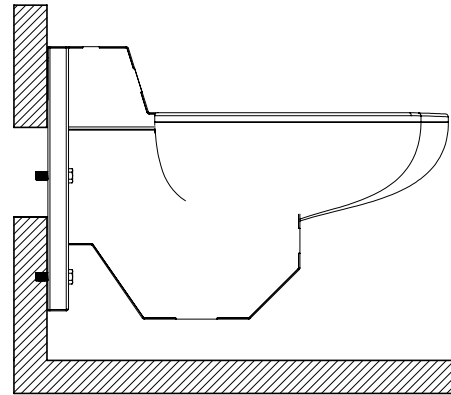
- Rough in for supply inlet and toilet waste plumbing connections (refer to cutsheet).
- Anchor z-clip to floor (hardware by others).
- Drill 1" holes at specified mounting locations (refer to cutsheet).
- Thread provided studs into the rear of the fixture.
- Secure the fixture to the wall using the provided washer and nut (torque to 60 ft-lbs).

REAR ACCESS EXPLODED VIEW



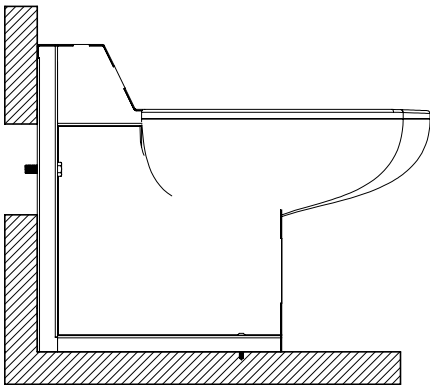
NOTE: Z-clip for rear access only.

FRONT ACCESS MOUNTING OFF FLOOR FIXTURE



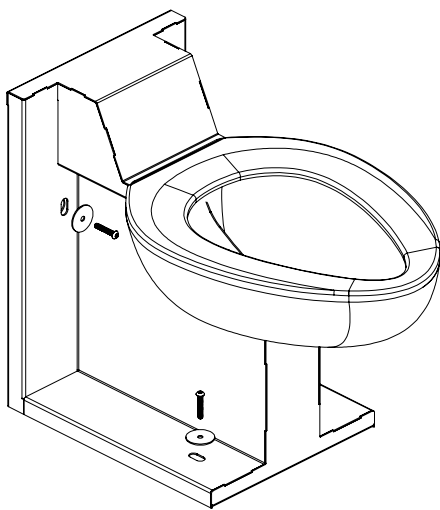
- Rough in for supply inlet and toilet waste plumbing connections (refer to cutsheet).
- Drill 1" holes at specified mounting locations (refer to cutsheet).
- Thread provided studs into the rear of the fixture.
- Secure the fixture to the wall using the provided washer and nut (torque to 60 ft-lbs).

FRONT ACCESS MOUNTING ON FLOOR FIXTURE

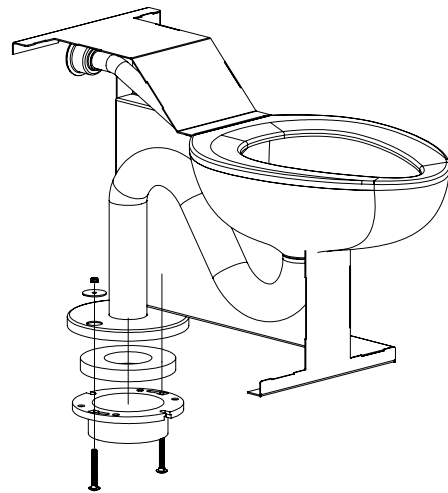


- Rough in for supply inlet & toilet waste plumbing connections (refer to cutsheet).
- Secure the fixture to the wall & floor using wall anchor / tapcon screws (provided by others).

EXPLODED VIEW

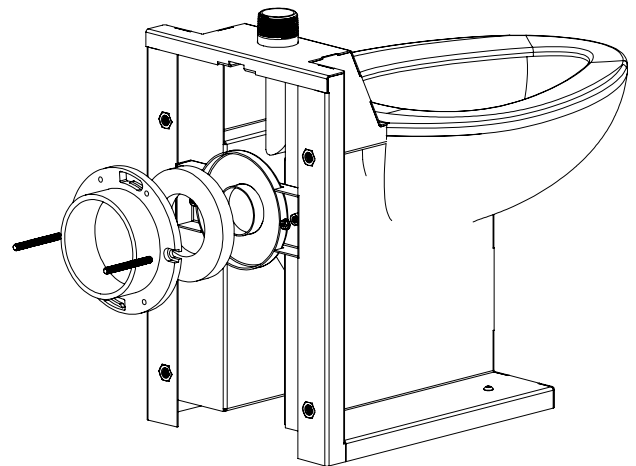


GASKET WASTE CONNECTION FLOOR OUTLET



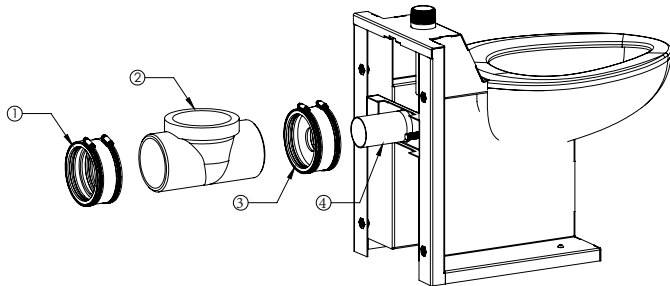
- Slide the center of the wax ring (provided by others) over the end of the waste pipe.
- Position the waste outlet over the rough in and fasten the fixture to the floor using closet-bolts (provided by others).

GASKET WASTE CONNECTION WALL OUTLET



- Slide the center of the wax ring (provided by others) over the end of the toilet's waste pipe.
- Position the toilet's waste outlet over the rough in.
- Fasten the 5/16" threaded rod into the flange nut.
- Secure the gasket waste to the wall by fastening the nut and washer.

THROUGH WALL WASTE CONNECTION



- Install no-hub couplings (1) & (3) to the cleanout tee (2).
- Install the no-hub coupling (3) to the waste pipe & no-hub coupling (1) to the existing waste.

NOTE: Cleanout tee waste fitting and no-hub couplings sold separately.

INSTALLATION COMPLETE