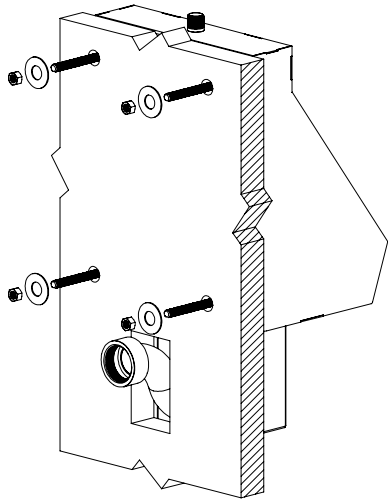
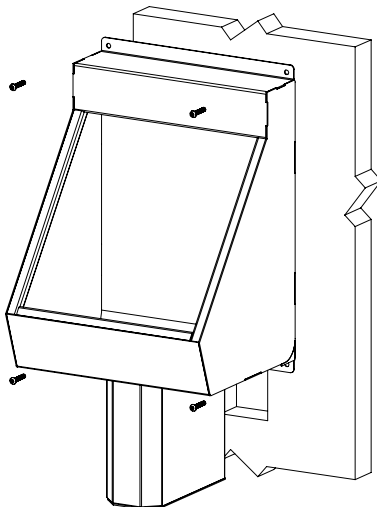


REAR ACCESS MOUNTING



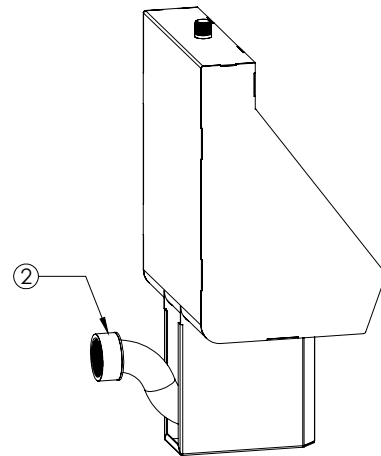
- Rough in for waste & inlet (if applicable) plumbing connections (refer to cutsheet).
- Drill 1" holes at specified mounting locations (refer to cutsheet).
- Thread provided studs into rear of fixture.
- Secure the fixture to the wall using the provided washer and nut (torque to 60 ft-lbs).

FRONT ACCESS MOUNTING



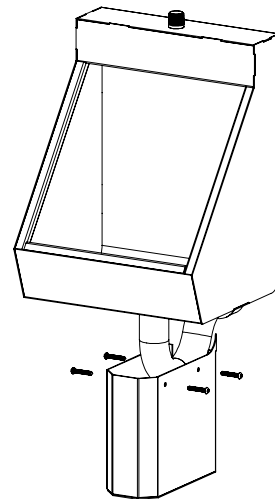
- Rough in for waste & inlet (if applicable) plumbing connections (refer to cutsheet).
- Secure fixture to the wall using wall anchors / tapcon screws (provided by others).

P-TRAP WITH 2" NPT COUPLING



- Connect existing waste 2" male npt (1) to the 2" npt p-trap coupling (2).

TRAP COVER



After fixture installation, install trap cover using provided security screws.

REMOVABLE 90° ELBOW

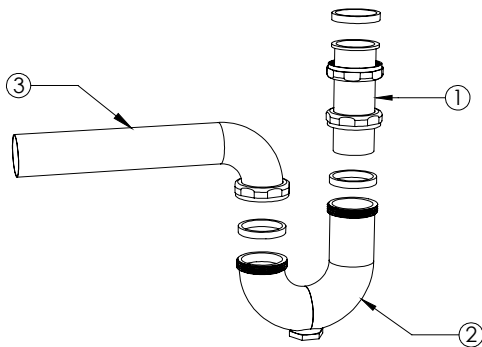
(101907)



- Secure the thru wall elbow to the 1-1/2" threaded outlet on the urinal.
- Connect the end of the thru wall elbow to the existing waste.

REMOVABLE P-TRAP IN CABINET

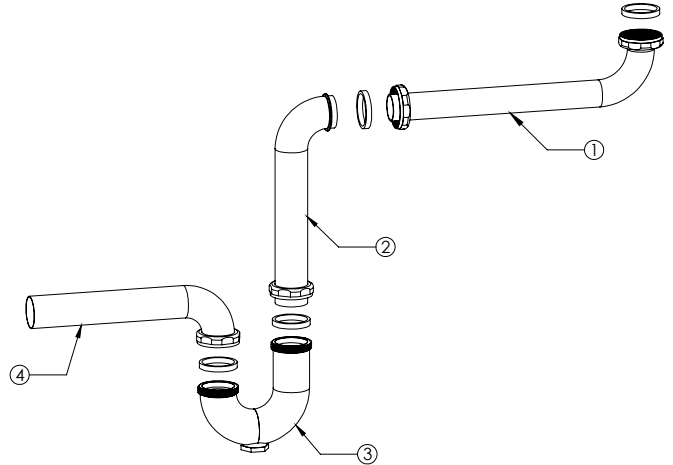
(101592)



- Secure the down tube (1) to the 1-1/2" male npt threaded outlet on the urinal.
- Assemble the down tube (1), p-trap (2), and waste elbow (3) as shown.
- Connect the end of the waste elbow (3) to the existing waste.

THRU-WALL CONNECTION WITH P-TRAP

(101593)



- Secure thru wall elbow (1) to the 1-1/2" male npt threaded outlet on the urinal.
- Assemble slip joint elbow (2), removable p-trap (3), and waste elbow (4) as shown.
- Connect the end of the waste elbow (4) to the existing waste.

INSTALLATION COMPLETE