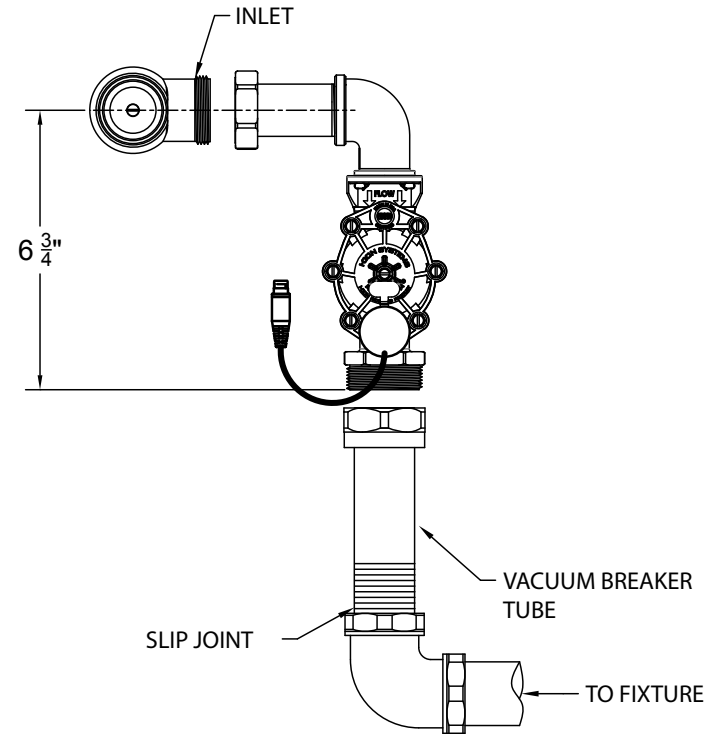


VLV-FVL-3801-E1



VLV-FVL-3801-E2

CONVERSION INSTRUCTIONS

To replace a VLV-FVL-3801-E1 with a VLV-FVL-3801-E2 the Vacuum Breaker Tube must be removed and the Slip Joint end trimmed by 1/4 of an inch.