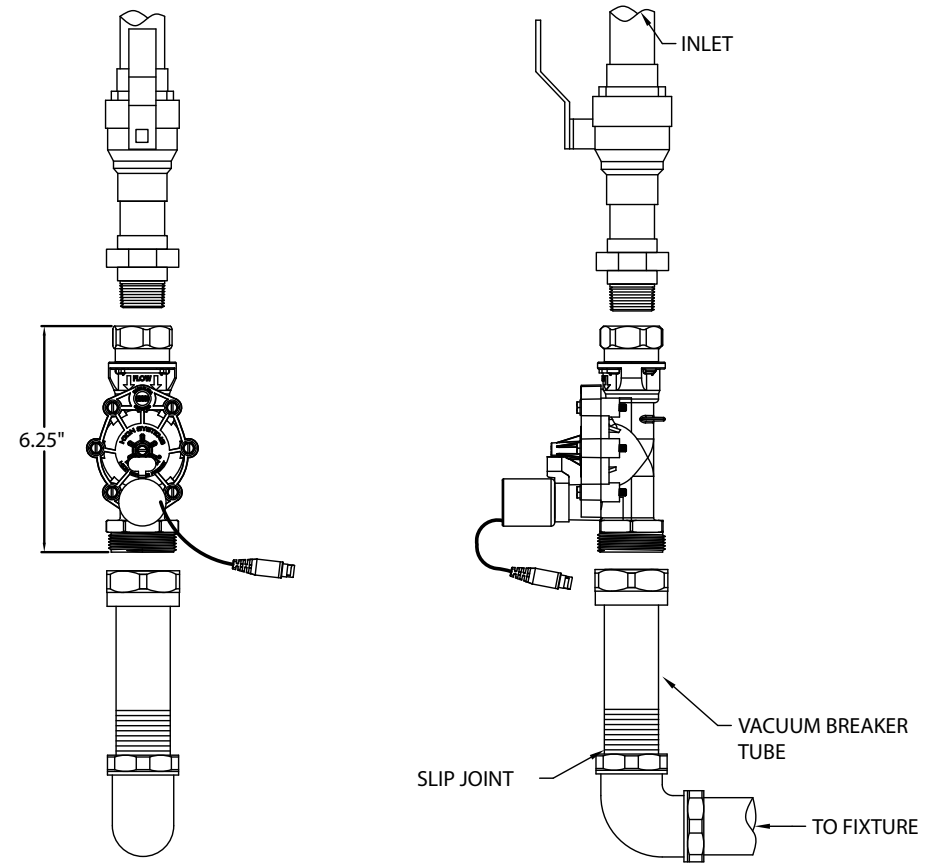


VLV-FVL-3711-S



VLV-FVL-3801-SF

## CONVERSION INSTRUCTIONS

To replace a VLV-FVL-3711-S with a VLV-FVL-3801-SF the Vacuum Breaker Tube must be removed and the Slip Joint end trimmed by 7/8 of an inch.