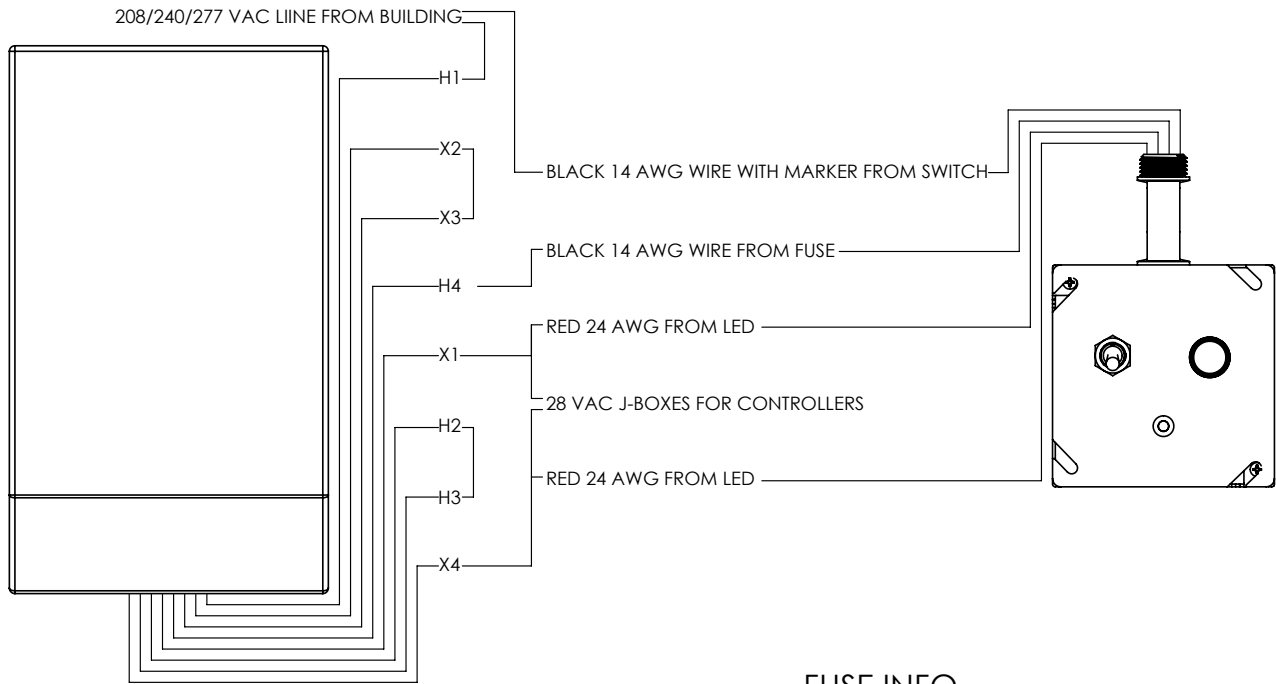


TRANSFORMER WIRING



FUSE INFO

PRIMARY VOLTAGE	CURRENT RATING	VOLTAGE RATING	SIZE
120 V	8A	250 VAC	3AG
208 V	4A	440 VAC	3AG
240 V	4A	440 VAC	3AG
277 V	4A	440 VAC	3AG

