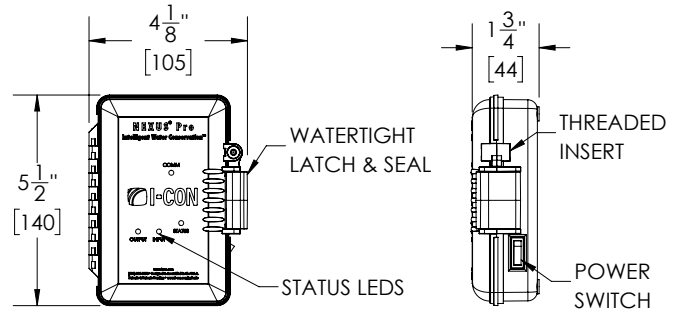


NEXUS® Pro 1 I/O AC Controller



Part No. 105001

► Description

NEXUS® Pro is a standalone or communicating controller used to control a single valve. Connects effortlessly to I-CON flush valves, lavatory, and shower valves. Controllers can be networked together through an I-CON ENVISAGE® Pro Water Management System, allowing control, real-time monitoring, alerts, and setting adjustability from anywhere in the facility.

► Options

- Program Type (must select one)
 - H - Hot
 - C - Cold
 - F - Flush
 - S - Shower

Recommended Specification

I-CON 105001 NEXUS® Pro Controller is a single input/output controller capable of controlling a single valve. A controller can control flush, shower, and lavatory valves. The 24VAC controller has low power consumption and a Class 2 transformer. The enclosure is water resistant with a latching, lockable cover, and an external power switch. It can be used with a non-LED TruTOUCH® sensor or with a TruTOUCH® Pro LED sensor. The TruTOUCH® Pro LED sensors indicate the type of valve being controlled and when a port is in Lockout, Daily Lockout, and Lockdown. The Controllers can store up to sixteen schedules for when the ports are usable, with an onboard clock with battery backup. Controllers can have the Runtime, Lockout Time, Abuse Time, and Abuse Count set using a removable, tamperproof programmer with no dip switches or potentiometers. Multiple inputs can be linked together to control a single output. The controller can be programmed with or without a Sentinel activation with selectable time intervals. All activities conducted by the controller are logged for viewing. Controllers can be installed standalone or networked via I-CON ENVISAGE® Pro Water Management software. Controllers can be upgraded anytime to connect to the network by installing a daughterboard. Local device networks can be wired or wireless via a proprietary connection protocol.



NEXUS[®] Pro 1 I/O AC Controller

► **Features**

- Latching water-resistant enclosure with conformal coated components
- Securable with an 8-32 security screw
- Designed for penal use and other vandal-prone areas to reduce potable water consumption
- Ability to be remotely located up to sixty (60) feet from the associated fixtures
- Adjustable run time, lockout time, activation before lockout
- Ability to link inputs to a single output for outside cell activation or other applications
- Onboard real-time clock for accurate time-keeping
- Onboard scheduling for usability
- Lockout and daily lockout capable
- Color-coded LED activation indications on sensor and controller
- Maintenance Mode for control when working on the system
- Rebuild Alerts based on activation count or time interval
- Network capable through wired or wireless proprietary communication protocols
- 24VAC power with low power consumption
- Power surge protection
- Sentinel activations for keeping traps primed when usage is low
- UL listed

► **Accessories**

For additional accessories, see the Accessories Section of the I-CON catalog or contact our Customer Service Team for details.



WARNING: Cancer and Reproductive Harm - www.P65Warnings.ca.gov

This space is for Architect/Engineer approval

The information contained in this document is subject to change without notice.