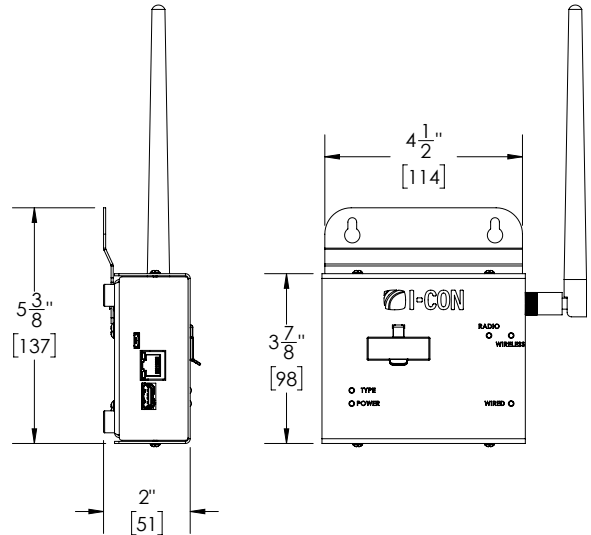


## NEXUS® Pro Bridge



Part No. 104277

### ► **Description**

The NEXUS® Pro Bridge is an all-in-one network Bridge for the ENVISAGE® Pro Water Management Software networks. It connects directly to the server to connect NEXUS® Pro controllers and monitoring devices to the network. It can be used in a wired or wireless I-CON network and can convert from a wireless network to a wired network or a wired network to a wireless network.

### ► **Features**

- Connects to the server via RJ45 ethernet cable
- Wired or Wireless network capable
- Can be used as a wireless-to-wired network converter
- Can be used as a wired-to-wireless converter
- Automatically configures itself based on network traffic
- Power and connection status indications
- 8" signal boosting antenna for wireless communication
- Multiple wireless networks can be created without interfering with each other
- Will not interfere with other wireless systems such as Wi-Fi or 2-way radios

### ► **Accessories**

See Accessories Section of the I-CON catalog or contact our Customer Service Team for details.



### Recommended Specification

The **104277 NEXUS® Pro Bridge** connects wired or wireless NEXUS® Pro devices to the server where ENVISAGE® Pro Water Management Software is hosted. It can also be used as a wired-to-wireless conversion or a wireless-to-wired conversion. The bridge shall have indications for communication and connectivity. It includes a UL Class II transformer and an antenna for wireless networks.

 **WARNING:** Cancer and Reproductive Harm - [www.P65Warnings.ca.gov](http://www.P65Warnings.ca.gov)

This space is for Architect/Engineer approval

The information contained in this document is subject to change without notice.