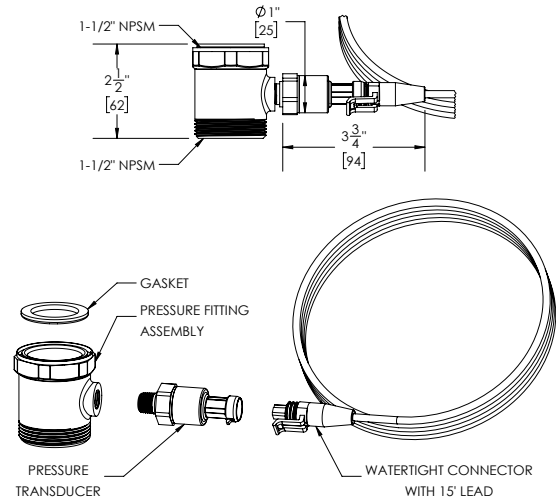


NEXUS® Pro+ Port Swap Monitoring Kit



Part No. 105183

► **Description**

NEXUS® Pro+ Port Swap Monitoring Kit; one kit required per flush valve.

► **Features**

Kit Includes:

- Pressure Fitting Assembly for 1-1/2" flush connections
- Pressure Transducer
- Watertight connector with 15' lead
- Gasket

► **Accessories**

See Accessories Section of the I-CON catalog or contact our Customer Service Team for details.



Recommended Specification

NEXUS® Pro+ Port Swap Monitoring Kit is a plumbing fitting that includes a pressure transducer and cable that will be connected to the outlet of an existing I-CON flush valve. The Pressure transducer comes with a watertight connector with a 15' lead. The lead connects to a NEXUS® Pro+ Controller to enable the port swap monitoring feature.

 **WARNING:** Cancer and Reproductive Harm - www.P65Warnings.ca.gov

This space is for Architect/Engineer approval

The information contained in this document is subject to change without notice.