

# The I-CON Advantage



**Eliminate Cell Flooding**



**Reduce Maintenance Cost**



**Conserve Water**

**Trusted partner  
in over  
800 facilities  
worldwide**

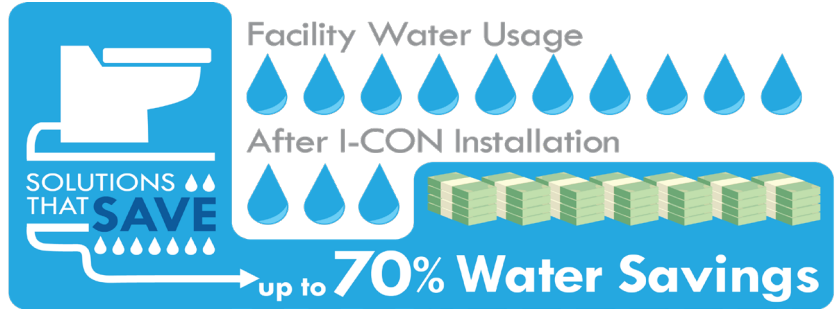


**Achieving Sustainable Water Management**

# THE I-CON DIFFERENCE

#1

## WATER SAVINGS

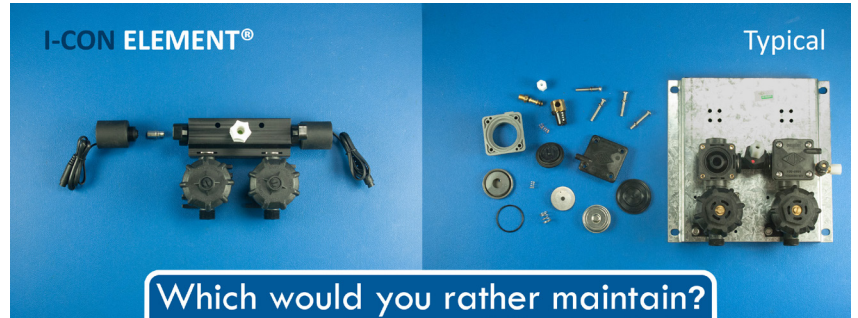


### Water Conservation

- Flush 1.6 gpf on a 3.5 gpf fixture
- Flush 0.9 gpf on a 1.6 gpf fixture
- ROI pay off in 2 to 5 years

#2

## MAINTENANCE SAVINGS



### Reduce Maintenance Cost

- Less moving parts
- No diaphragms
- Common components

#3

## CONTROL & SECURITY



### Stop Plumbing System Abuse

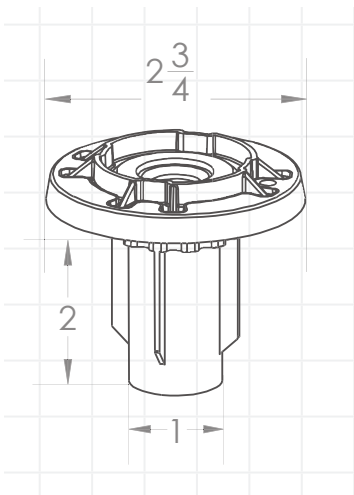
- Prevent cell flooding
- Utilize lockouts
- Contraband risk mitigation

## 30 Years of Innovation

For three decades, I-CON Systems, Inc. has been a trailblazer in manufacturing innovative plumbing controls, driven by our proven technology, commitment to innovation, and unwavering dedication to excellent customer service. Recognized as a leading designer and manufacturer in the correctional industry, I-CON stands out for its commitment to quality, innovation, and reliability.



What sets us apart is our distinctive approach—there are no third-party components in our solutions. We take pride in designing and manufacturing our own plumbing control systems and writing our own software. This unique strategy empowers our customers with complete control, customization and unparalleled flexibility in managing their plumbing systems.



Throughout our 30-year journey, from our first patented flush valve to our latest innovations, I-CON Systems, Inc. has consistently delivered superior and reliable products, complemented by unmatched customer service. We continue to set the standard with over 100 patents and patents pending for smart plumbing controls, incorporating advanced technology to provide customers with complete control and ultimate flexibility over their facilities. Our commitment to working in-house from start to finish ensures the exceptional craftsmanship and quality of every I-CON product.

## Made in America

Our innovative facility in Oviedo, Florida, is home to every aspect of our company, from our corporate executive offices and warehouse to our print shop and professional training room. The innovative products designed in our engineering, research, and development labs are created on our electrical, mechanical, and stainless-steel manufacturing and production floors. Custom pieces are formed in our mold making and machine shop. Working in-house from start to finish ensures the superior craftsmanship and quality of our products.

★ USA ★ DESIGNED & ASSEMBLED

Celebrating 30 Years of Innovation

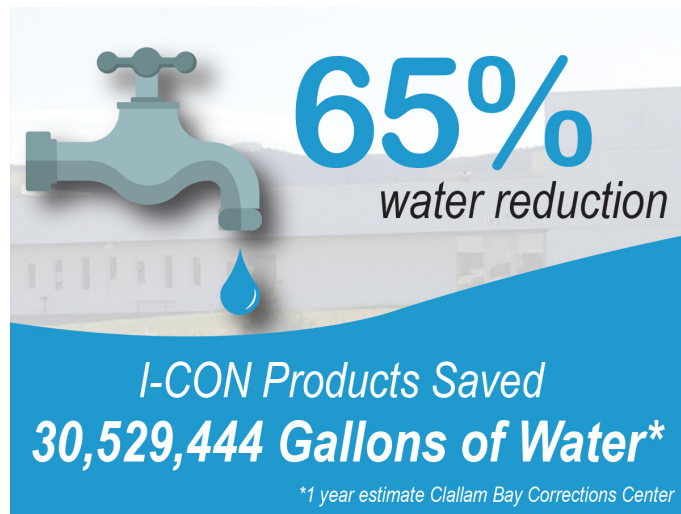
# Let I-CON bring Savings to Your Facility

## I-CON Systems Transforms Clallam Bay Corrections Center with Revolutionary Water Conservation Upgrades

As a part of the Washington DOC sustainability goals, I-CON and UMC (University Mechanical Contractors) were contracted to decrease water usage across specific State Correctional Facilities. I-CON Systems, an innovative water management company, achieved a 65% reduction in water consumption at the Clallam Bay Corrections Center. Through their patented technologies, including MOMENTUM® flush valves, NEXUS® controllers, and ENVISAGE® Water Management Suite, I-CON saved the facility \$184,000 annually. This collaborative effort highlights a commitment to effective water management and sustainable practices.

I-CON's MOMENTUM® flush valve is a significant advancement for water conservation. This innovative technology increases water velocity requiring less water to remove waste. The MOMENTUM® flush valve can be adjusted for a range of flush volumes. The force and velocity of the MOMENTUM® flush allow an old 3.5 GPF-rated fixture to be flushed with only 1.6 gallons of water, a 54% reduction. A 1.6/1.28 GPF fixture can be flushed with as low as 0.90 gallons per flush unlike traditional flush valve designs. Engaging a more forceful flush enhances fixture efficiency and reduces water consumption. The integration of the MOMENTUM® flush valve with the ENVISAGE® Water Management Software further enhances overall performance.

The ENVISAGE® Water Management Software, along with NEXUS® controllers and pre-tempered shower valves, provides facility managers enhanced authority over water consumption. The added ENVISAGE® software can be tailored to suit each facility's unique needs and simplify access and control of water savings. The Envisage® software solution enables remote adjustment of runtimes, shower schedules, and lockouts for specific fixtures, cells, as well as the entire facility in one central location.



*"I-CON has benefited Clallam Bay Corrections Center by providing precise control to facility managers through an uncomplicated system, which saves water, time, and money." Eddie Reetz, Associate Superintendent at Clallam Bay Corrections Center*

Prior to the installation of these I-CON products, the water usage at Clallam Bay Corrections Center averaged 47,118,850 gallons annually. The introduction of these products drastically decreased usage to approximately 16,589,400 gallons per year, a 65% reduction in overall water and financial savings of \$184,000 annually at the facility. This proves that the initial investment in I-CON has a powerful return on investment that can be achieved in a remarkably short time.

The successful water conservation initiative by I-CON Systems at Clallam Bay Corrections Center has gained significant recognition. The Washington Department of Corrections intends to collaborate with I-CON Systems and UMC to implement similar electronic plumbing systems in more state facilities due to the impressive outcomes and straightforward installation process. This expansion reinforces I-CON Systems' scalability and the broad advantages they offer, showcasing their central role in water conservation and sustainable practices.

I-CON Systems' pioneering efforts at Clallam Bay Corrections Center illustrate the transformative potential of innovative water conservation solutions. The integration of MOMENTUM® flush valves, NEXUS® controllers, pre-tempered shower valves, along with the ENVISAGE® Water Management Suite has yielded notable cost savings and environmental benefits. As the commitment to sustainable practices continues to grow, I-CON Systems maintains a prominent position in the global movement to safeguard one of the Earth's most valuable resources for future generations.